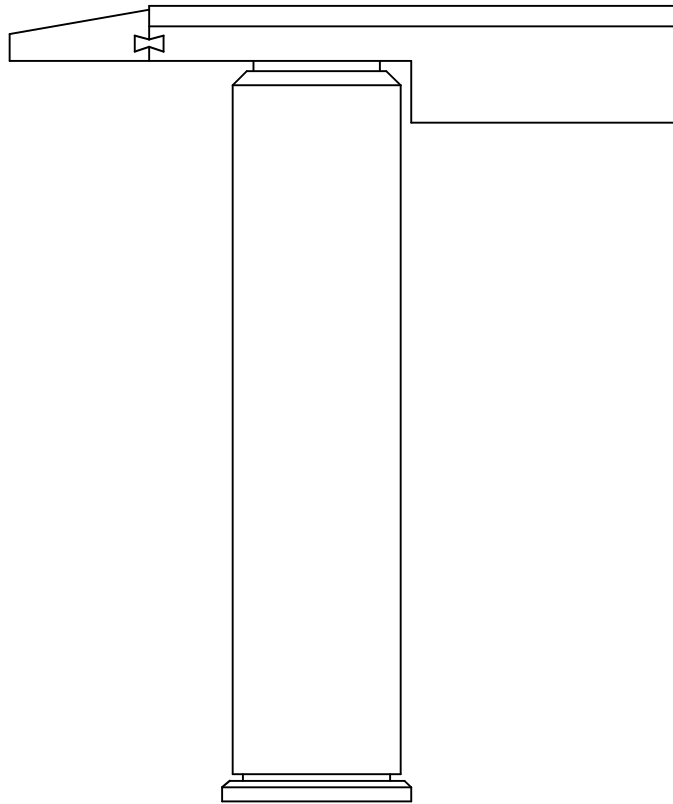

The CROFTON Collection designed by John L. Bodag

A century ago, Arts and Crafts Movement Provide an important counterbalance to the industrial revolution's mass production of decorative styles and poor quality by emphasizing good design, pride of workmanship and the importance of beauty in everyday life. The philosophy held that aesthetics and functionality should co-exist rather than be considered mutually exclusive. These concepts resonate in The CROFTON Collection, created by CCN International in collaboration with John L. Bodag, Director of Design of Ford & Earl Design Associates.



The designer's passion for excellence and extraordinary attention to detail is evident throughout the collection. Quartered, Figured White Oak and Quartered Cherry are employed for their clean, linear grain character which reinforces the strong horizontal/vertical interplay. The CROFTON collection features cantilevered, beveled edge treatments and deep spindle details. Fine craftsmanship is expressed by the accented dovetail keys that punctuate the meticulous joinery. The transitions from primary to secondary work surfaces are achieved with overlapped 2" changes of plane that are eased through the use of the tapered edge details.

Detailed hinged doors are offered with 8 different styles that are organized into 4 price groups. The design utilize solid wood frames with recessed panels that allow the opportunity to add wood detail stripes as design accents. Four of the door styles incorporate camed, antique glass panels that provide interesting counterbalance to the dominant wood surface. Access to the detailed hinged doors is achieved with routed finger gaps on the side or bottom edge of the door. Touch latches are used where an exposed edge is not available. Drawers and lower hinged doors are flush panels with an integrated, crescent-shaped pull. The pull is offered with a square or radius pattern front and is available in pewertone, bronzetone or black powder coat finish.

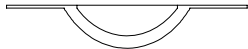
The design of CROFTON has been carefully developed with proportioning and details intended for maximum visual integrity while still responding to utility. Modifications are not encouraged. Any request for modification of the CROFTON product will necessitate are review by the product designer and will affect CCN's timely response to a special inquiry.

CROFTON.....is in the details

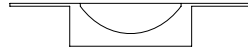
ORDERING INFORMATION

A number of selections are necessary when ordering product from The CROFTON collection.

- (1) The lower storage pull has a crescent-shaped handhold and a choice of square or radius profile.



(r) radius profile



(s) square profile

- (2) Select the finish on the above pull:

(a) bronze tone

(c) black powder coat

- (3) We have selected a palette of colors that provide a usable range and have historical significance. We identify the various colors using the names of some of the originators of the movement. Select one of the following finishes:

Morris Cherry (CCQS-13) is a light finish
on quartered Cherry

Richardson Cherry (CCQS-20) is a mellow brown finish
on quartered Cherry

Ruskin Cherry (CCQS-21) is a rich amber finish
on quartered Cherry

Ellis Oak (COQS-22) is a light golden finish
on quartered figured White Oak

Voysey Oak (COQS-23) is a warm brown finish
on quartered figured White Oak

Mackintosh Oak (COQS-24) is a dark fumed-like finish
on quartered figured White Oak

- (4) The CROFTON Collection offers eight detailed door designs which are available within four pricing formats. Product line items which require selection of the door style indicated by "door options". Please substitute the door style number and letter for the door option reminder. Door style 3B requires the selection of the stained glass accent as (a) amber, (b) olive or (c) rose. The price list presentation organizes the cost of the line item by the selection of the detailed door design. As a reminder, an icon of the door design is adjacent to the price. Pages 4-7 depict the various design details which have been assembled into balanced groups with recessed wood panels and camed, antique glass infields. Intermixing of doors from different groups is not an option.

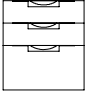
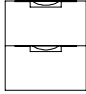
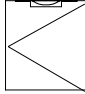
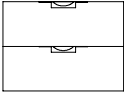
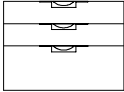
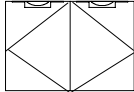
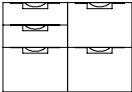
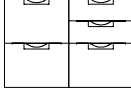
- (5) This price allows a certain amount of flexibility with the drawer storage components. Within the model number, the letters following the dimensional numbers communicate the drawer configuration. These letters indicate the sequence and type of drawer storage on the unit.

Retractable door storage is available in a number of configurations. Its location is limited to 16" or 19" wide lower storage units and requires an adjacent storage component to conceal door pocket on hinged side. The model number changes to (V) for the 16" wide retractable door and (W) for 19" wide retractable door. This option adds \$850.00 list to the unit price.

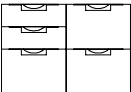
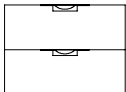
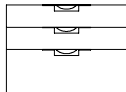
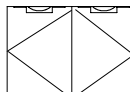
When hinged or retractable door storage is substituted for a drawer storage, the door will be hinged on the side farthest from the center of the unit. Each hinged or retractable storage components has a adjustable pull-out shelf to allow equipment storage.

- (6) Dimensional information needs to be provided by customer to locate the wiring access through the back panels. All units have fully enclosed finished back panels that require a factory cut-out in the back panel, allowing wire management throughout the CROFTON assembly. It is recommended that cutouts correspond to the building electrical/voice connections.
- (7) Be aware that many of the units are built in multiple pieces and are very large to minimize component connections. The factory must know when these large components are to be cut into sections to allow passage through elevator or hallway restrictions. We will be glad to provide this without charge.

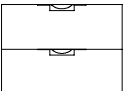
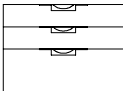
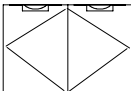
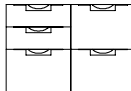
The following substitutions can be made to a drawer storage configurations without changing the price.

from	(A) letter width box/box/file (C) legal width box/box/file	to	(B) letter width file/file (D) legal width file/file	or	(I) 16" hinged door with pull-out shelf (H) 19" hinged door with pull-out shelf
					
from	(E) 32" width lateral file (F) 38" width lateral file	to	(T) 32" width box/box/file (U) 38" width box/box/file	or	(II) 32" width double hinged door (HH) 38" width double hinged door
					
from	(AB) combination letter width box/box/file and file/file (CD) combination legal width box/box/file and file/file	to	(BA) combination letter width file/file and box/box/file (DC) combination legal width file/file and box/box/file		
					

Reduce price of unit \$1375 when substituting:

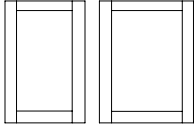
from	(AB) combination letter width box/box/file and file/file (CD) combination legal width box/box/file and file/file	to	(E) 32" width lateral file (F) 38" width lateral file	or	(T) 32" width box/box/file (U) 38" width box/box/file	or	(II) 32" width double hinged door (HH) 38" width double hinged door
							

Add \$1375 to price of unit when substituting

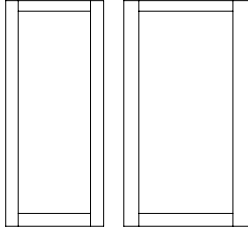
from	(E) 32" width lateral file (F) 38" width lateral file	or	(T) 32" width box/box/file (U) 38" width box/box/file	or	(II) 32" width double hinged door (HH) 38" width double hinged door	to	(AB) combination letter width box/box/file and file/file (CD) combination legal width box/box/file and file/file
							

Style 1A

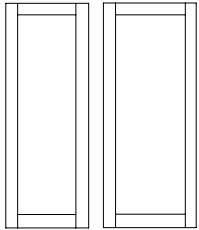
UPPER CENTER DOORS



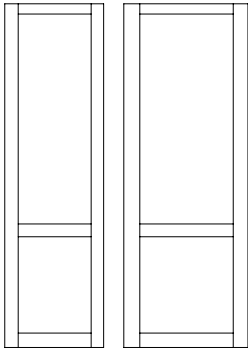
END TOWER DOORS



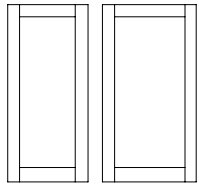
FULL CENTER DOORS



ANCHOR DOORS



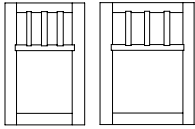
BOOKCASE DOORS



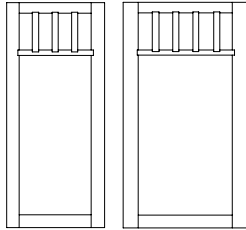
- solid wood frames surround $\frac{1}{4}$ " recessed veneer panel
- smaller doors are $\frac{3}{4}$ " thick, tall doors are $1\text{-}\frac{1}{4}$ " thick

Style 2A

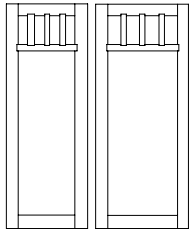
UPPER CENTER DOORS



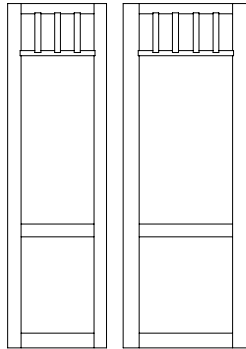
END TOWER DOORS



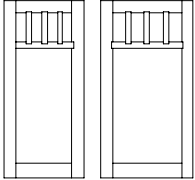
FULL CENTER DOORS



ANCHOR DOORS

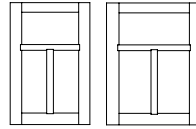


BOOKCASE DOORS

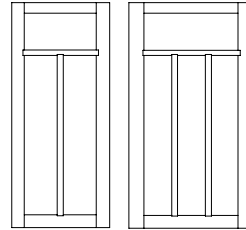


Style 2B

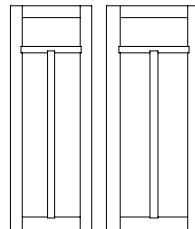
UPPER CENTER DOORS



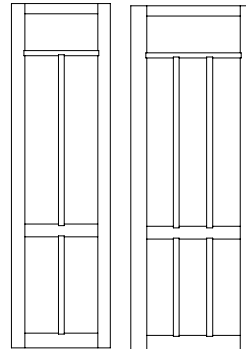
END TOWER DOORS



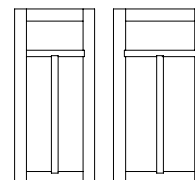
FULL CENTER DOORS



ANCHOR DOORS



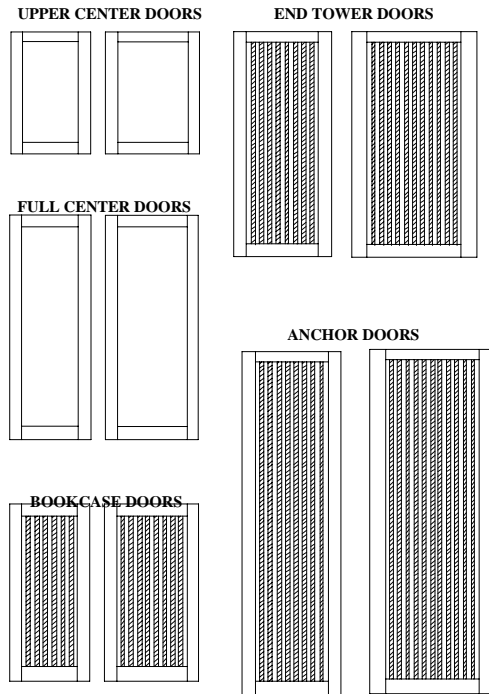
BOOKCASE DOORS



- solid wood frames surround ¼" recessed veneer panel
- smaller doors are ¾" thick, tall doors are 1-¼" thick
- horizontal rail supports multiple mullions near top of door

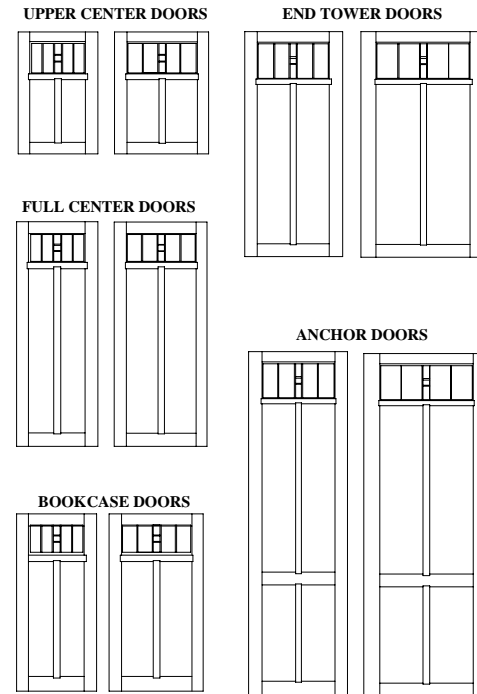
- solid wood frames surround ¼" recessed veneer panel
- smaller doors are ¾" thick, tall doors are 1-¼" thick
- horizontal rail caps centered lower mullions

Style 3A



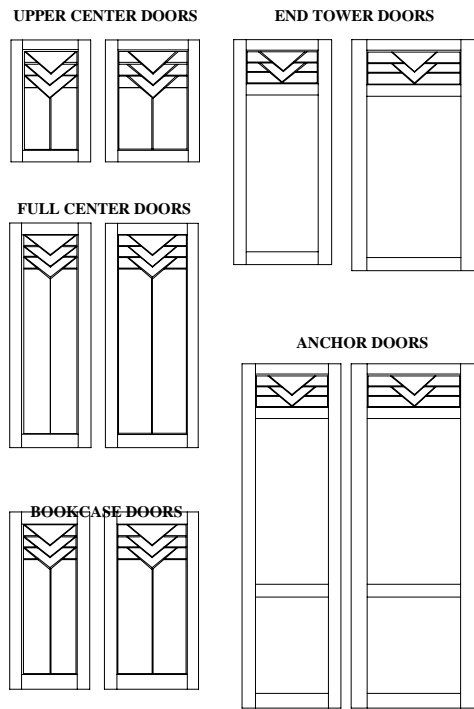
- solid wood frames surround ¼" recessed veneer panel on hi-rise center doors are ¾" thick
- bookcase, end tower and anchor doors are 1-¼" thick solid wood frames surround multiple ¾" wide slat infield
- this style is not available on hi-rise units that only have upper or full center doors; in that case the doors match door style 1A

Style 3B



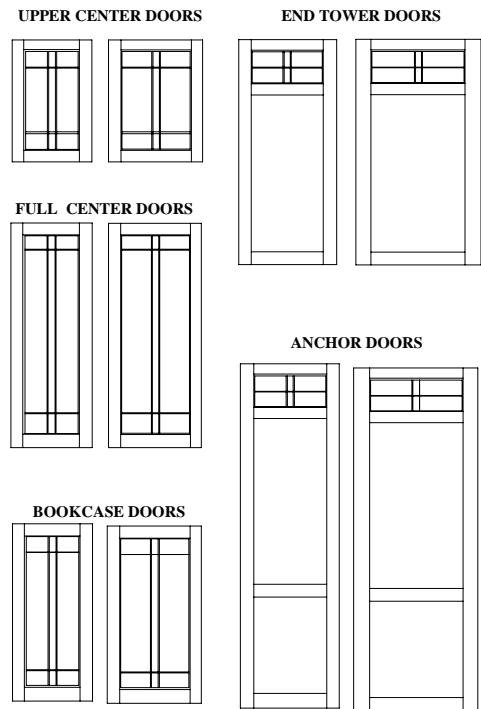
- solid wood frames surround ¼" recessed veneer panel in lower section of door with centered lower mullion detail
- shaded area identifies wood portion of door
- above horizontal rail is camed, antique glass panel with vertical divisions
- upper glass panel has square accent color to be (a) amber, (b) olive or (c) rose stained glass

Style 4A



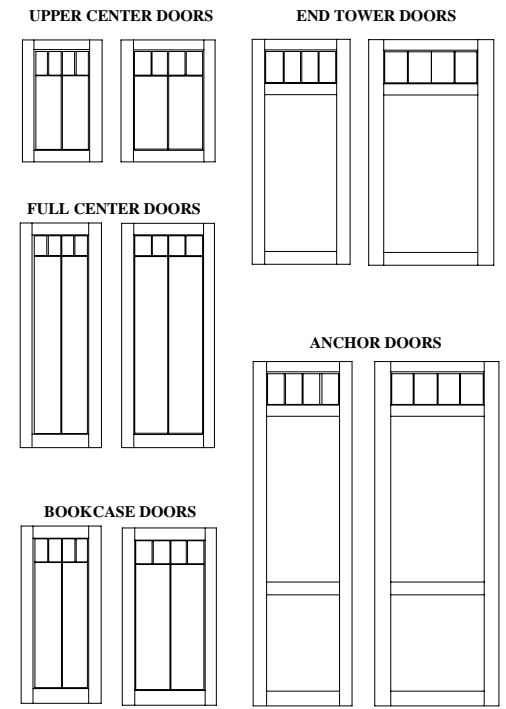
- solid wood framed center hi-rise and bookcase doors have full camed glass infield
- camed antique glass section with classic chevron pattern
- solid wood frames surround ¼" recessed veneer panel in lower section of end tower and anchor doors
- shaded area identifies wood portion of door

Style 4B



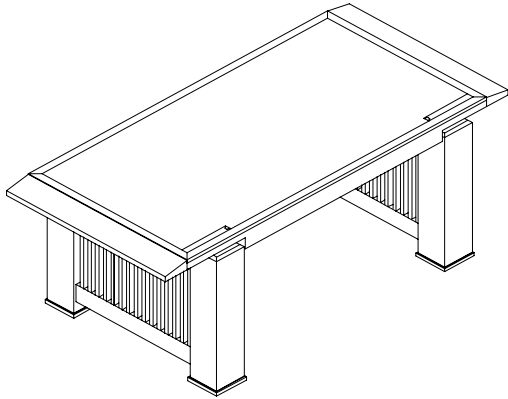
- solid wood framed center hi-rise and bookcase doors have full camed glass infield
- camed antique glass section with double center mullion intersected by single top and bottom horizontals
- solid wood frames surround ¼" recessed veneer panel in lower section of end tower and anchor doors
- shaded area identifies wood portion of door

Style 4C



- solid wood framed center hi-rise and bookcase doors have full camed glass infield
- camed antique glass section with single center mullion intersected by single top
- horizontal that support multiple upper vertical divisions
- solid wood frames surround ¼" recessed veneer panel in lower section of end tower and anchor doors
- shaded area identifies wood portion of door

Rectangular Table Desk

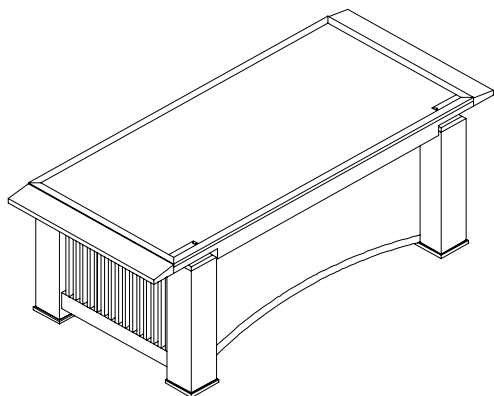


Includes:

- double personal drawers in seated side apron
- 2 pivoting wood grommets in desk top with wire exit through approach side leg to the floor

	Depth	Width	Height		
FDT-3872-0-OV2	37½	72	29½		
FDT-3978-0-OV2	39½	78	29½		
FDT-4184-0-OV2	41	84	29½		

Double Pedestal Desk



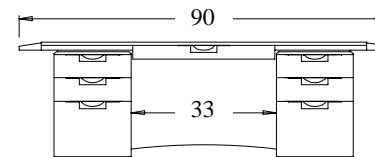
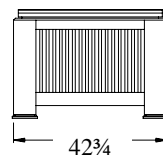
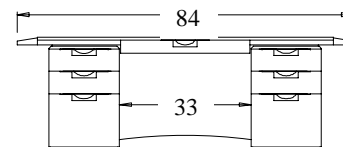
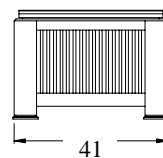
Includes:

- single personal drawer in seated side apron
- 2 pivoting wood grommets in desk top with wire exit through approach side leg to the floor

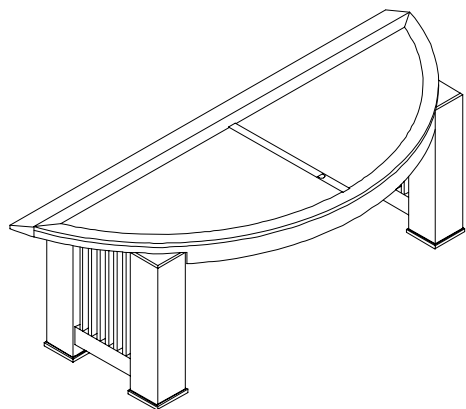
Options Available:

- drawer substitutions, refer to page IV

	Depth	Width	Height
FD0-4184-AB-OU2	41	84	29½
FD0-4390-CD-OU2	42¾	90	29½



Semi Ellipse Table Desk

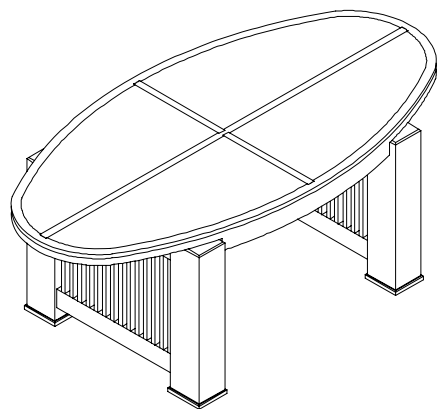


Includes:

- single personal drawers in seated side apron
- 1 pivoting wood grommet in desk top with wire exit through approach side leg to the floor
- 2 section reverse diamond pattern top

	Depth	Width	Height		
FDL0R-3478-0-OU1	34¼	78	29½		
FDL0R-3788-0-OU1	37	88	29½		

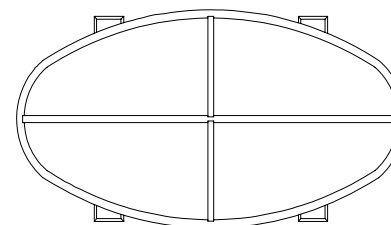
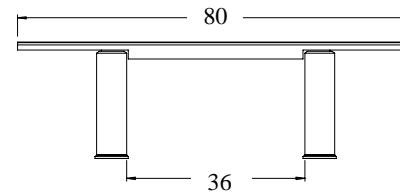
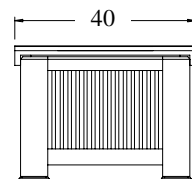
Ellipse Table Desk



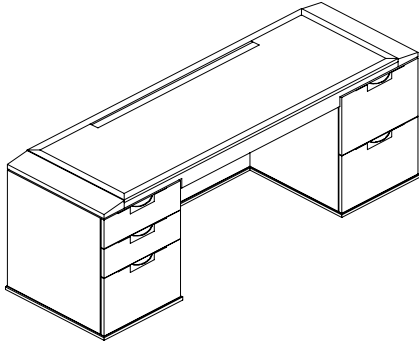
Includes:

- personal drawer installed in curved apron
- 4 section diamond pattern top

	Depth	Width	Height
FDV0R-4080-0-PD1	40	80	29½



Kneespace Credenzas

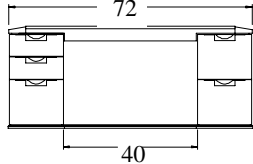
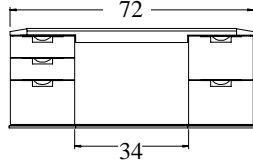
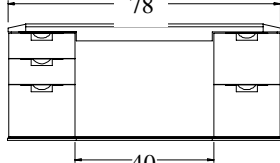
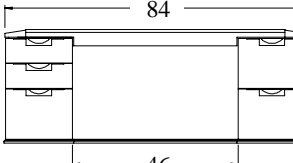


Includes:

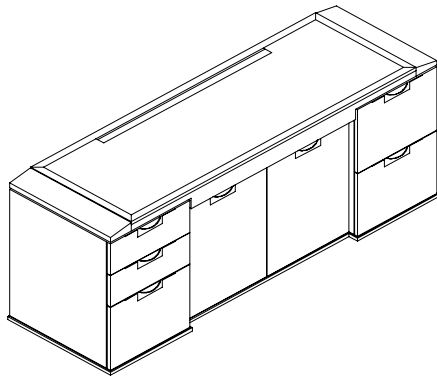
- hinged kneespace panel to conceal wire management and wall access
- pivoting wire chase in credenza top with linear wire exit

Options Available:

- drawer substitutions, refer to page IV
- keyboard drawer concealed in kneespace apron
- E/D/V power strip (AMUS) installed on inside of hinged kneespace panel

	Depth	Width	Height	
FC0-2472-AKB-PWC	24	72	29½	
FC0-2472-CKD-PWC	24	72	29½	
FC0-2478-CKD-PWC	24	78	29½	
FC0-2484-CKD-PWC	24	84	29½	

Full Storage Credenzas

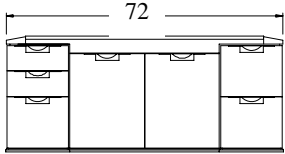
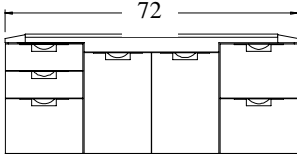
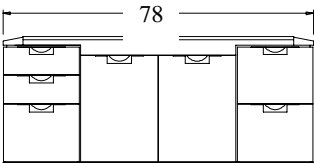
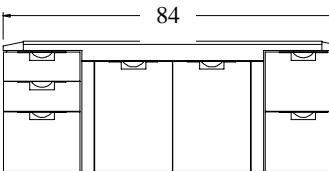


Includes:

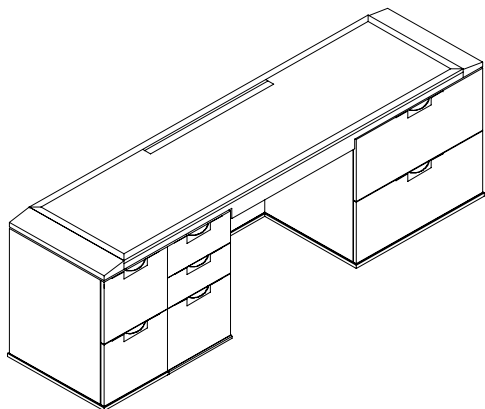
- hinged door center storage with 1 adjustable shelf
- pivoting wire chase in credenza top with linear wire exit

Options Available:

- drawer substitutions, refer to page IV

	Depth	Width	Height	
FC0-2472-AHHB-PWC	24	72	29½	
FC0-2472-CHHD-PWC	24	72	29½	
FC0-2478-CHHD-PWC	24	78	29½	
FC0-2484-CHHD-PWC	24	84	29½	

Kneespace Credenzas



Includes:

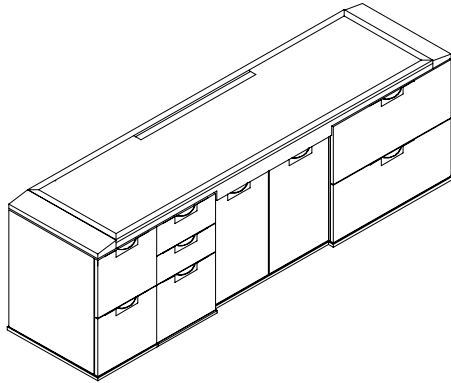
- hinged kneespace panel to conceal wire management and wall access
- pivoting wire chase in credenza top with linear wire exit

Options Available:

- drawer substitutions, refer to page IV
- keyboard drawer concealed in kneespace apron
- E/D/V power strip (AMUS) installed on inside hinged kneespace panel

	Depth	Width	Height	
FC0-2496-BAKE-PWC	24	96	29½	
FC0-24108-DCKF-PWC	24	108	29½	
FC0-24120-DCKF-PWC	24	120	29½	

Full Storage Credenzas



Includes:

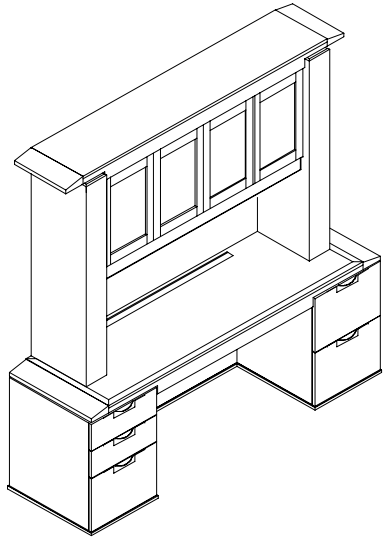
- hinged door center storage with 1 adjustable shelf
- pivoting wire chase in credenza top with linear wire exit

Options Available:

- drawer substitutions, refer to page IV

	Depth	Width	Height	
FC0-2496-BAHHE-PWC	24	96	29½	
FC0-24108-DCHHF-PWC	24	108	29½	
FC0-24120-DCHHF-PWC	24	120	29½	

Kneespace Credenza with Pilaster End Hi-Rise

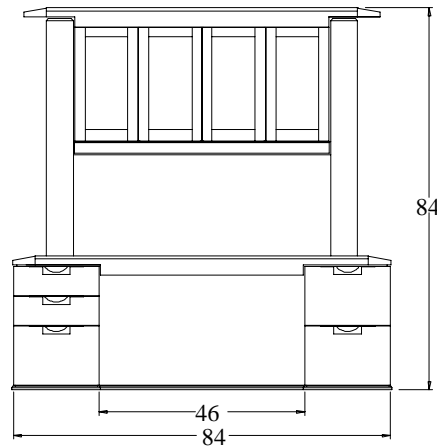


Includes:

- pivoting wire chase in credenza top with linear wire exit
- hinged kneespace panel to conceal wire management and wall access
- etched glass light valance with recessed tasklight

Options Available:

- door style variations
- drawer substitutions, refer to page IV
- camed antique glass light valance
- keyboard drawer concealed in kneespace apron
- E/D/V power strip (AMUS) installed on inside of hinged kneespace panel



Assembly consists of:

	Depth	Width	Height
credenza FC0-2484-CKD-PWC	24	84	29½
hi-rise storage FSUH31-167954-(door option)	16	79	54

Choose Door Style:



1A



2A



2B



3A



3B



4A

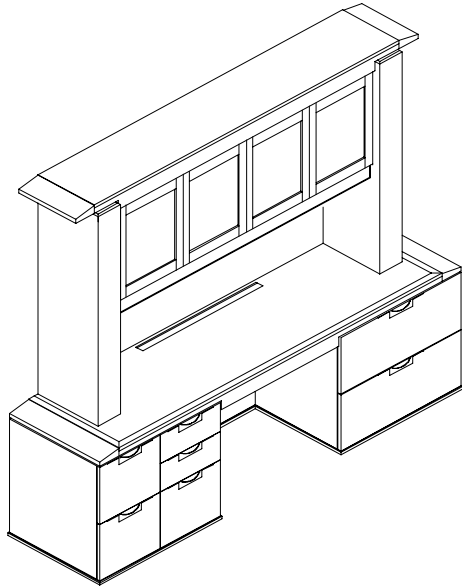


4B



4C

Kneespace Credenza with Pilaster End Hi-Rise

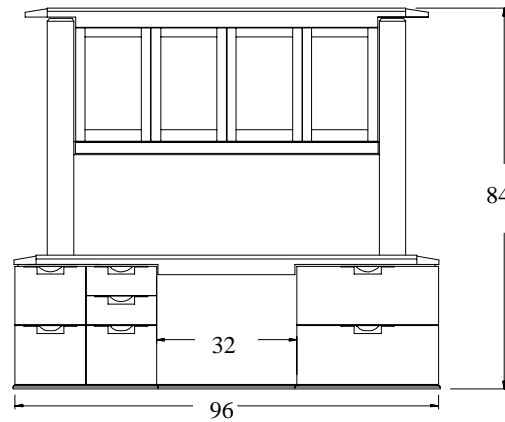


Includes:

- pivoting wire chase in credenza top with linear wire exit
- hinged kneespace panel to conceal wire management and wall access
- etched glass light valance with recessed tasklight

Options Available:

- door style variations
- drawer substitutions, refer to page IV
- camed antique glass light valance
- keyboard drawer concealed in kneespace apron
- E/D/V power strip (AMUS) installed on inside of hinged kneespace panel



Assembly consists of:

	Depth	Width	Height
credenza FC0-2496-BAKE-PWC	24	96	29½

hi-rise storage
FSUH31-169154-(door option)

16	91	54
----	----	----

Choose Door Style:



1A



2A



2B



3A



3B



4A

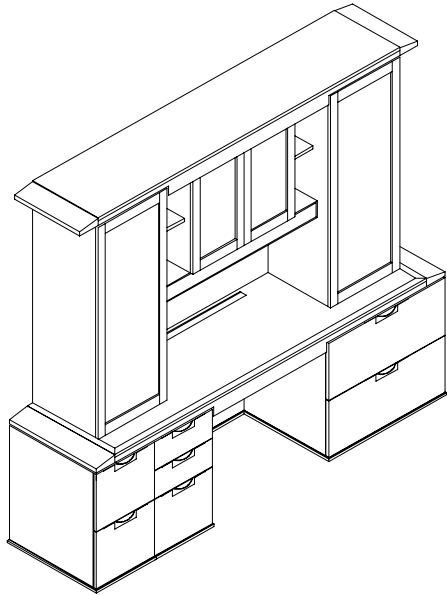


4B



4C

Kneespace Credenza with Storage Tower Hi-Rise & Display Shelving

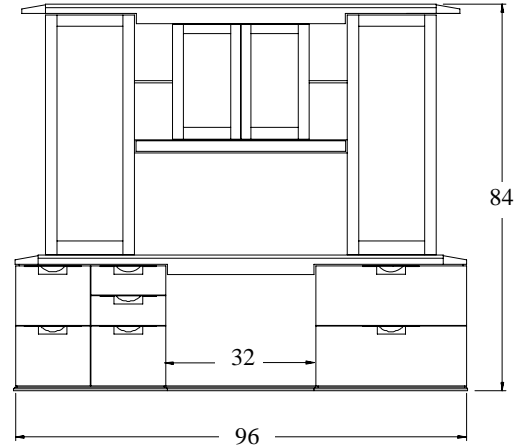


Includes:

- pivoting wire chase in credenza top with linear wire exit
- hinged kneespace panel to conceal wire management and wall access
- etched glass light valance with recessed tasklight
- side glass display adjustable shelves

Options Available:

- door style variations
- drawer substitutions, refer to page IV
- camed antique glass light valance
- keyboard drawer concealed in kneespace apron
- E/D/V power strip (AMUS) installed on inside of hinged kneespace panel



Assembly consists of:

	Depth	Width	Height
4 piece kneespace credenza including single overlay top FC0-2496-BAKE-PWC	24	96	29½
4 piece hi-rise storage including single overlay top FSUY531-189354-(door option)	18	93	54

Choose Door Style:



1A



2B



2B



3A



3B



4A

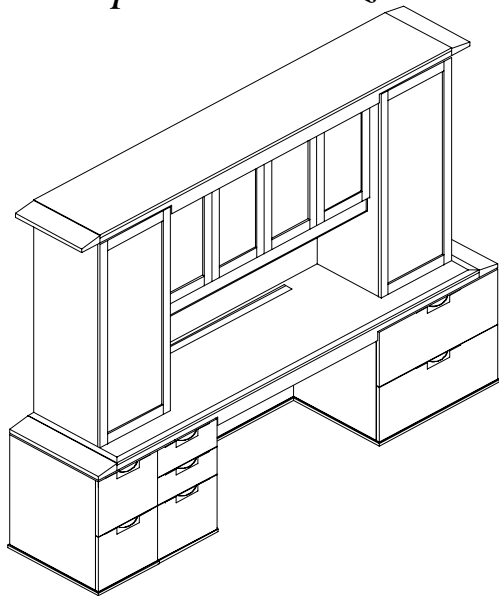


4B



4C

Kneespace Credenza with Storage Tower Hi-Rise

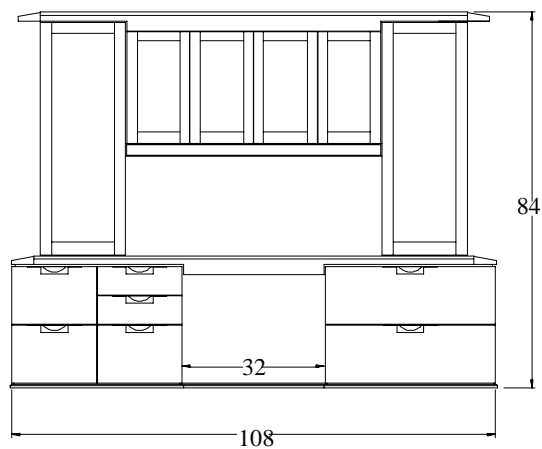


Includes:

- pivoting wire chase in credenza top with linear wire exit
- hinged kneespace panel to conceal wire management and wall access
- etched glass light valance with recessed tasklight

Options Available:

- door style variations
- drawer substitutions, refer to page IV
- camed antique glass light valance
- keyboard drawer concealed in kneespace apron
- E/D/V power strip (AMUS) installed on inside of hinged kneespace panel



Assembly consists of:

	Depth	Width	Height
4 piece kneespace credenza including single overlay top FC0-24108-DCKF-PWC	24	108	29½

4 piece hi-rise storage including single overlay top FSUL531-1810554-(door option)	18	105	54
--	----	-----	----

Choose Door Style:



1A



2A



2B



3A



3B



4A

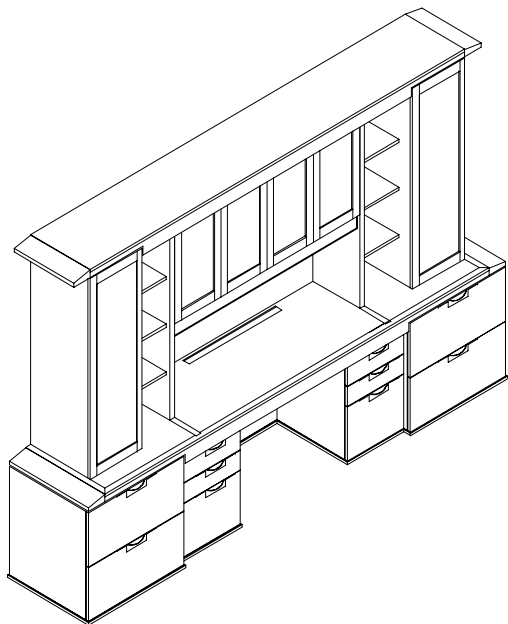


4B



4C

Kneespace Credenza with Storage Tower Hi-Rise & Display Shelving

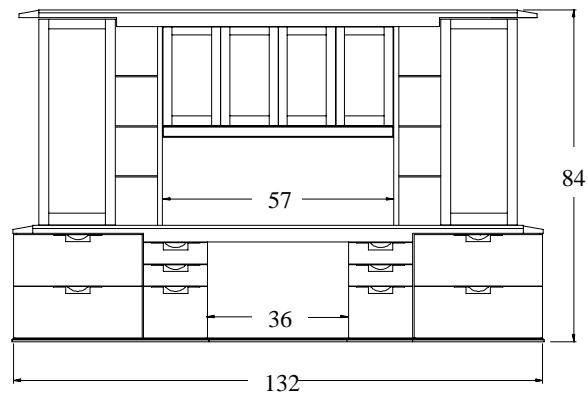


Includes:

- pivoting wire chase in credenza top with linear wire exit
- hinged kneespace panel to conceal wire management and wall access
- etched glass light valance with recessed tasklight
- 2 bays of adjustable glass display shelving with upper display lights

Options Available:

- door style variations
- drawer substitutions, refer to page IV
- camed antique glass light valance
- keyboard drawer concealed in kneespace apron
- E/D/V power strip (AMUS) installed on inside of hinged kneespace panel
- overlay tops on credenza and hi-rise can be made in 3 sections



Assembly consists of:

	Depth	Width	Height
4 piece kneespace credenza including single overlay top FC0-24132-EAKAE-PWC	24	132	29½
4 piece hi-rise storage including single overlay top FSUQ731-1812954-(door option)	18	129	54

Choose Door Style:



1A



2A



2B



3A



3B



4A

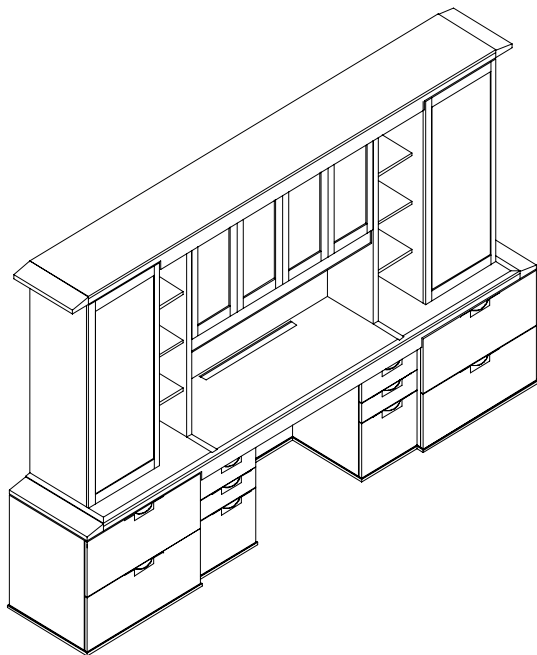


4B



4C

Kneespace Credenza with Storage Tower Hi-Rise & Display Shelving

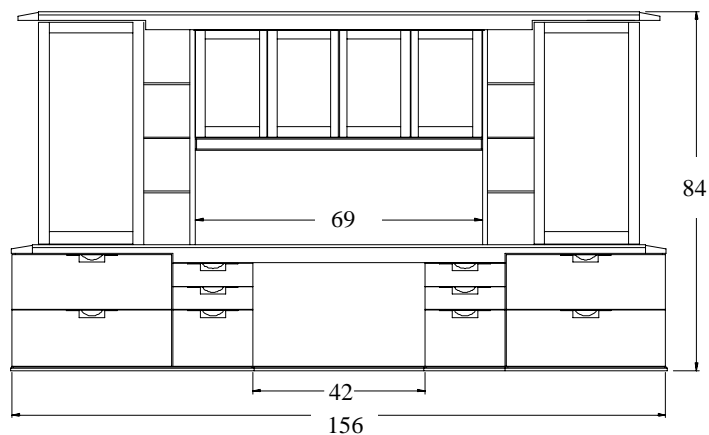


Includes:

- pivoting wire chase in credenza top with linear wire exit
- hinged kneespace panel to conceal wire management and wall access
- etched glass light valance with recessed tasklight
- 2 bays of adjustable glass display shelving with upper display lights

Options Available:

- door style variations
- drawer substitutions, refer to page IV
- camed antique glass light valance
- keyboard drawer concealed in kneespace apron
- E/D/V power strip (AMUS) installed on inside of hinged kneespace panel
- overlay tops on credenza and hi-rise can be made in 3 sections



Assembly consists of:

	Depth	Width	Height
4 piece kneespace credenza including single overlay top FC0-24156-FCKCF-PWC	24	156	29½
4 piece hi-rise storage including single overlay top FSUQ731-1815354-(door option)	18	153	54

Choose Door Style:



1A



2A



2B



3A



3B



4A

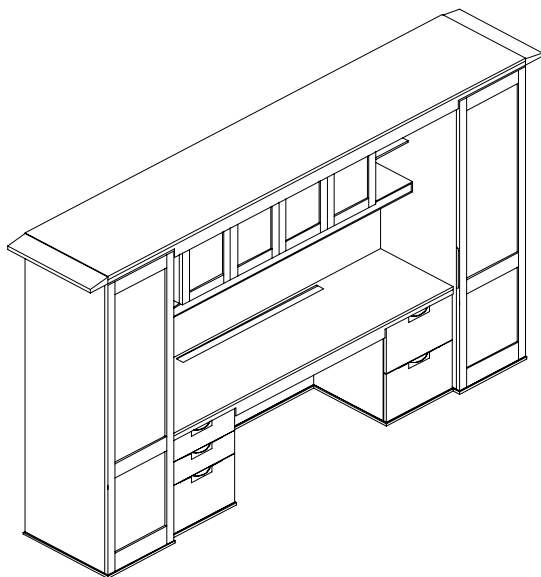


4B



4C

Kneespace Credenza with End Anchor Storage

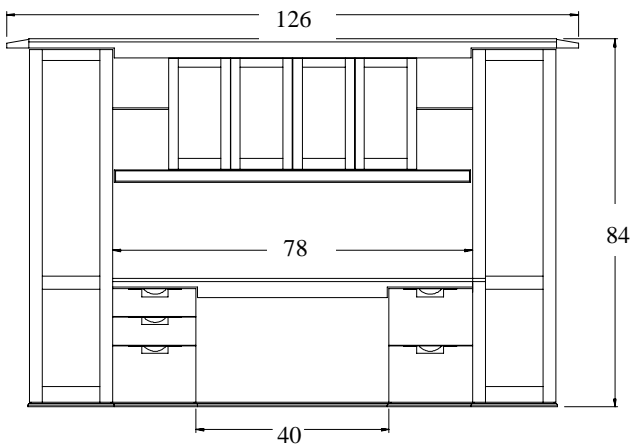


Includes:

- pivoting wire chase in credenza top with linear wire exit
- hinged kneespace panel to conceal wire management and wall access
- etched glass light valance with recessed tasklight
- side glass display adjustable shelves with lighting from below

Options Available:

- door style variations
- drawer substitutions, refer to page IV
- camed antique glass light valance
- keyboard drawer concealed in kneespace apron
- E/D/V power strip (AMUS) installed on inside of hinged kneespace panel
- flush end overlay top available which results in reduction of overall width to 116"
- wardrobe storage available
- 4 recessed lights in underside of crown top



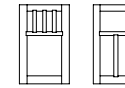
Assembly consists of:

	Depth	Width	Height
overlay top FWT2-24126	24	126	4½
left anchor storage with 5 adjustable shelves FSH0150L-241982-(door option)	24	19	82
bridge kneespace credenza FC00000B-2378-CKD-PWC	22½	78	29½
bridge hi-rise storage FSWJ511B-147850-(door option)	14	78	50
right anchor storage with 5 adjustable shelves FSH0150R-241982-(door option)	24	19	82

Choose Door Style:

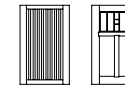


1A



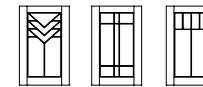
2A

2B



3A

3B

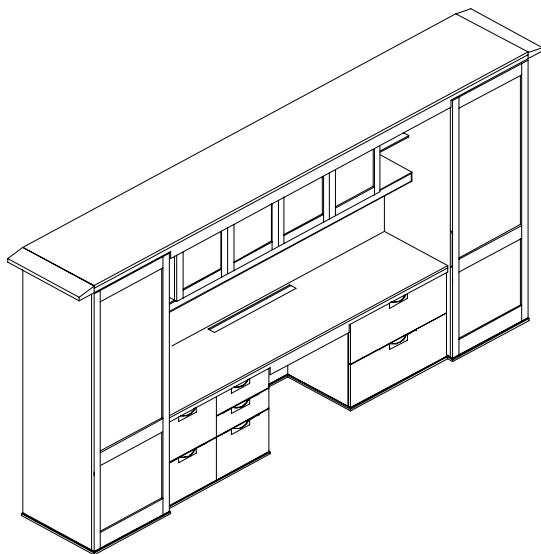


4A

4B

4C

Kneespace Credenza with End Anchor Storage

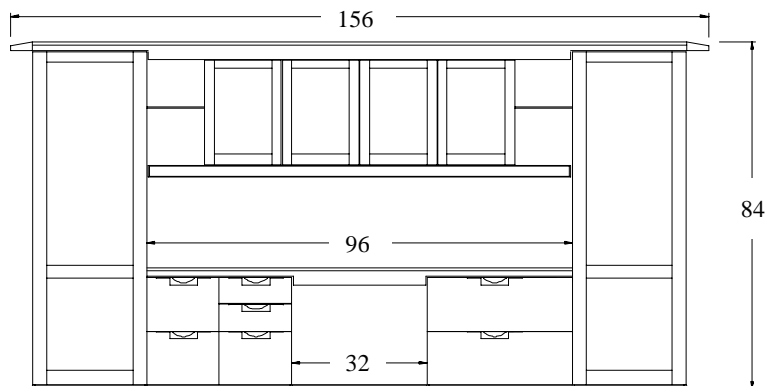


Includes:

- pivoting wire chase in credenza top with linear wire exit
- hinged kneespace panel to conceal wire management and wall access
- etched glass light valance with recessed tasklight
- side glass display adjustable shelves with lighting from below

Options Available:

- door style variations
- drawer substitutions, refer to page IV
- camed antique glass light valance
- keyboard drawer concealed in kneespace apron
- E/D/V power strip (AMUS) installed on inside of hinged kneespace panel
- flush end overlay top available which results in reduction of overall width to 146"
- wardrobe storage available
- 4 recessed lights in underside of crown top



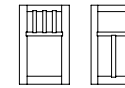
Assembly consists of:

	Depth	Width	Height
3 piece overlay top FWT2-24156	24	156	4½
left anchor storage with 6 adjustable shelves FSH0150L-242582-(door option)	24	25	82
bridge kneespace credenza FC00000B-2396-BAKE-PWC	22½	96	29½
bridge hi-rise storage FSWJ511B-149650-(door option)	14	96	50
right anchor storage with 6 adjustable shelves FSH0150R-242582-(door option)	24	25	82

Choose Door Style:

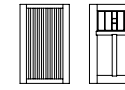


1A



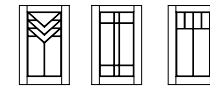
2A

2B



3A

3B

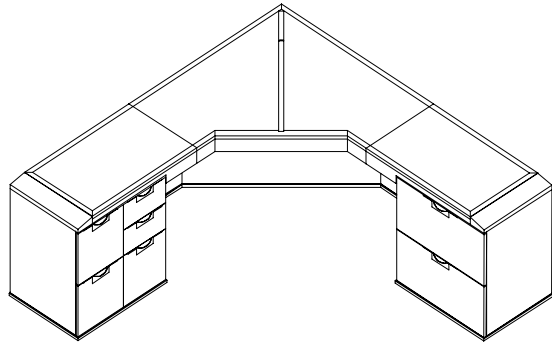


4A

4B

4C

Corner Credenza



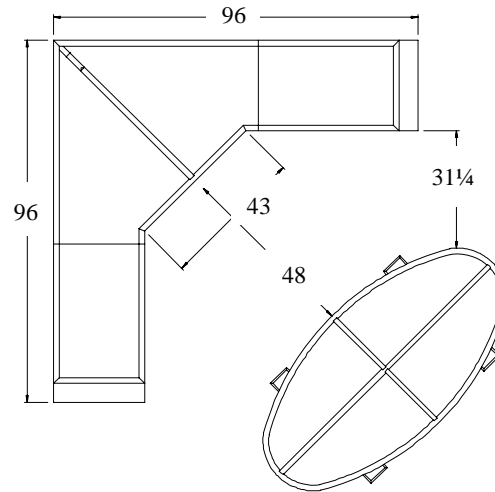
Includes:

- pivoting wood grommet in rear corner of bridge
- recessed diagonal hinged panel to conceal wire management and wall access
- short grain direction on side returns that transitions to corner sketch top

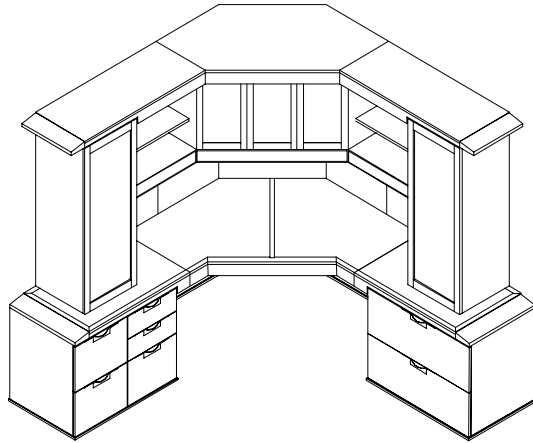
Options Available:

- drawer substitutions, refer to page IV
- keyboard drawer concealed in diagonal kneespace apron
- Elliptical Table Desk suggested as companion piece as shown below

	Depth	Width	Height
left return FR0-2442-DCL-GW1	24	42	29½
corner bridge FBC0R-5454-0-GW1	54	54	29½
right return FR0-2442-FR-GW1	24	42	29½



Corner Credenza with Diagonal Hi-Rise



Assembly consists of:

	Depth	Width	Height
left return FR0-2442-DCL-GW1	24	42	29½
corner bridge FBC0R-5454-GW1	54	54	29½
right return FR0-2442-FR-GW1	24	42	29½
left end tower storage FSUI231L-185054-(door option)	18	49½	54
center diagonal bridge hi-rise FSUH210C-226054-(door option)	21½	59½	54
right end tower storage FSUI231R-185054-(door option)	18	49½	54

Includes:

- pivoting wood grommet in rear corner of bridge
- recessed diagonal hinged panel to conceal wire management and wall access
- short grain direction on side returns that transitions to corner sketch top
- upper glass display adjustable shelving with lighting from below

Options Available:

- drawer substitutions, refer to page IV
- keyboard drawer concealed in diagonal kneespace apron
- Elliptical Table Desk suggested as companion piece

Choose Door Style:



1A



2A



2B



3A



3B



4A

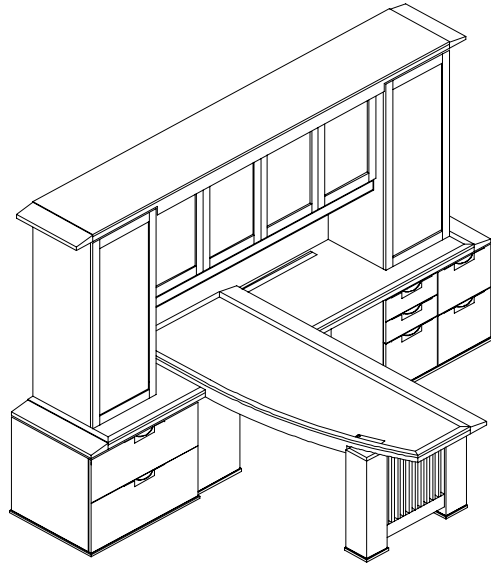


4B



4C

Tower End Workstation with Perpendicular Run-off Table Desk

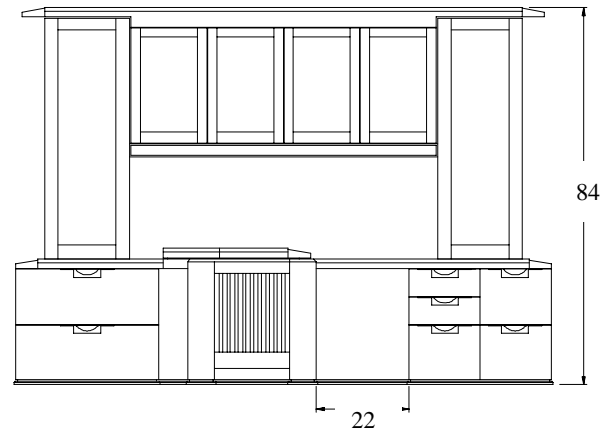


Includes:

- pivoting wood grommet in run-off desk top
- hinged kneespace panel to conceal wire management and wall access
- pivoting wire chase in credenza top with linear wire exit
- etched glass light valance with recessed tasklight
- single personal drawer on seated side of run-off desk

Options Available:

- door style variations
- drawer substitutions, refer to page IV
- camed antique glass light valance
- E/D/V power strip (AMUS) installed on inside of hinged kneespace panel

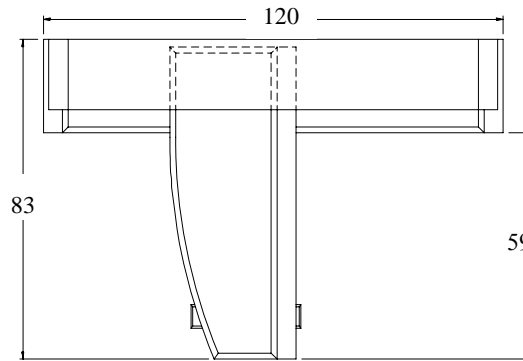


Bowtop Run-off Desk Workstation Consists of:

Depth Width Height 4 piece kneespace credenza including single overlay top FC00S-24120-ENKAB-PWC
24 120 27¼

4 piece hi-rise storage including single overlay top FSUL531-1811757-(door option) 18 117 57

bowtop run-off desk FDTUH-3380-L-OU1 33 80 29½



Choose Door Style:



1A



2A



2B



3A



3B



4A



4B



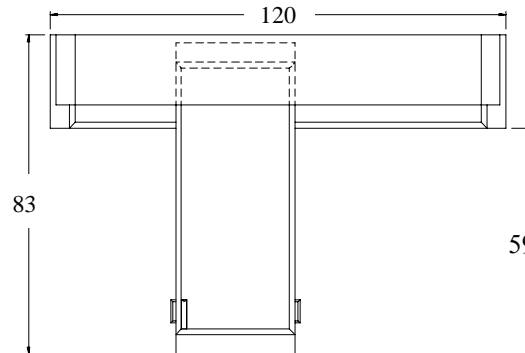
4C

Rectangular Run-off Desk workstation consists of:

Depth Width Height 4 piece kneespace credenza including single overlay top FC00S-24120-ENKAB-PWC
24 120 27¼

4 piece hi-rise storage including single piece overlay top FSUL531-1811757-(door option) 18 117 57

rectangular run-off desk FDTU-3472-L-OU1 34 72 29½



Choose Door Style:



1A



2A



2B



3A



3B



4A

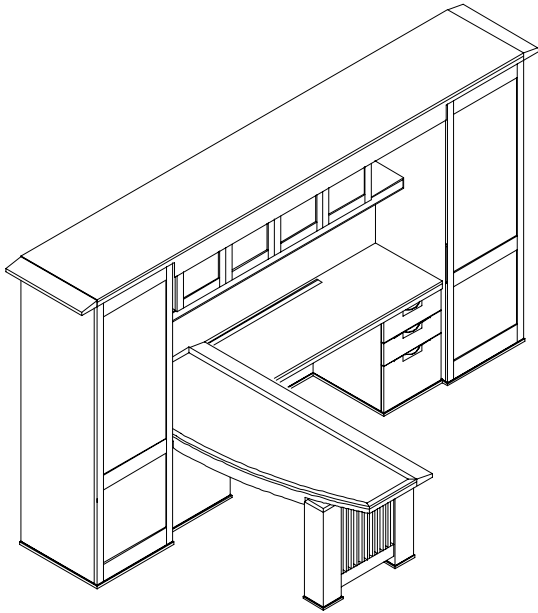


4B



4C

Anchor End Workstation with Perpendicular Run-off Table Desk

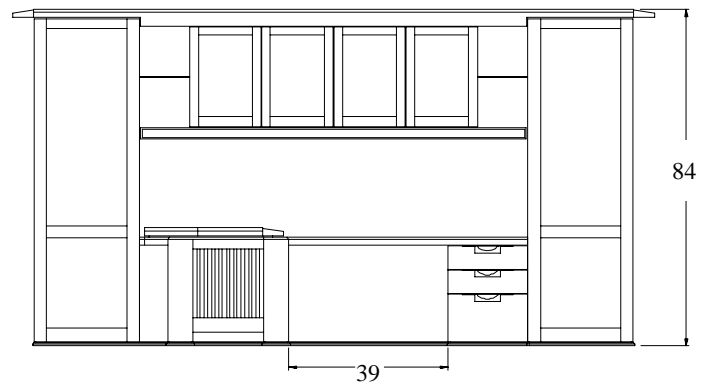


Includes:

- pivoting wood grommet in run-off desk top
- hinged kneespace panel to conceal wire management and wall access
- pivoting wire chase in credenza top with linear wire exit
- etched glass light valance with recessed tasklight
- single personal drawer on seated side of run-off desk
- side glass display adjustable shelves with lighting from below

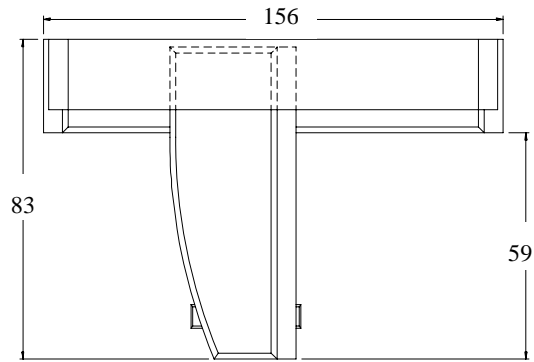
Options Available:

- door style variations
- drawer substitutions, refer to page IV
- camed antique glass light valance
- E/D/V power strip (AMUS) installed on inside of hinged kneespace panel
- flush end overlay top available which results in reduction of overall width to 146"
- wardrobe storage available
- 4 recessed lights in underside of crown top

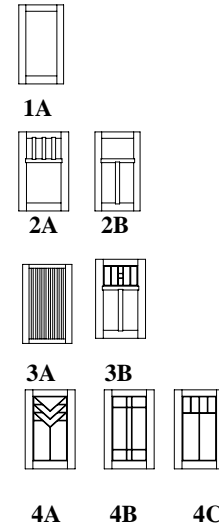


Bowtop Run-off Desk Workstation Consists of:

	Depth	Width	Height	3 piece overlay top
FWT2-24156	26	156	4¼	
left anchor storage with 6 adjustable shelves FSH0150L-242582-(door option)	24	25	82	
bridge kneespace credenza FC00S00B-2396-NKC-PWC	33	80	29½	
bridge hi-rise storage FSWJ511B-149653-(door option)	14	96	53	
right anchor storage with 6 adjustable shelves FSH0150R-242582	24	25	82	
bowtop run-off desk FDTUH-3380-3-OU1	33	80	29½	
	Depth	Width	Height	3 piece overlay top

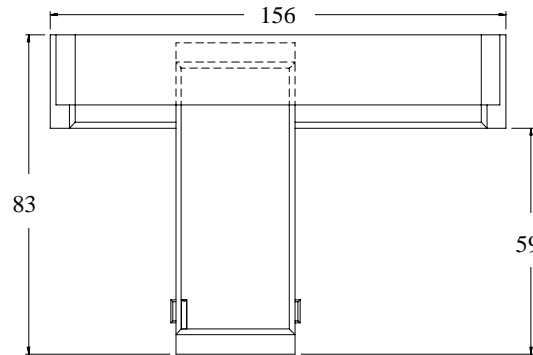


Choose Door Style:

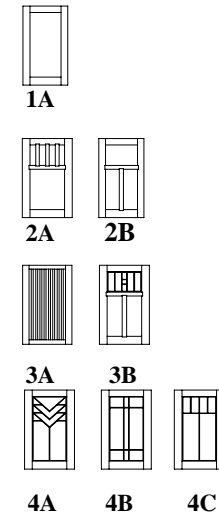


Rectangular Run-off Desk workstation consists of:

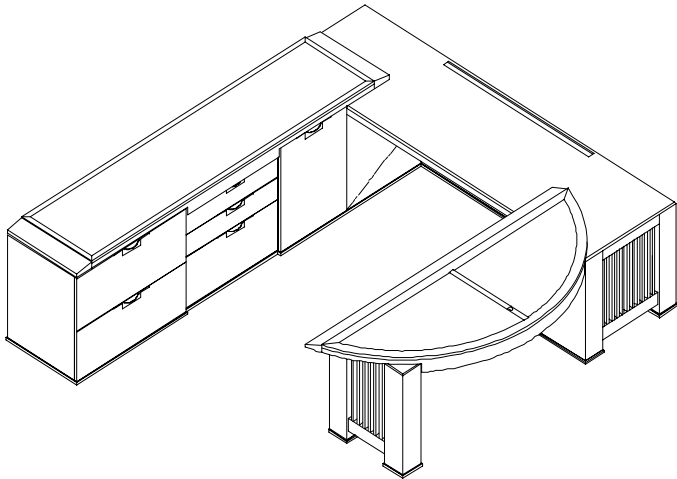
FTWT2-24156	26	156	4¼
left anchor storage with 6 adjustable shelves FSH0150L-242582-(door option)	24	25	82
bridge kneespace credenza FC00000B-2396-NKC-PWC	22½	96	27½
bridge hi-rise storage FSWJ511B-149653-(door option)	14	96	53
right anchor storage with 6 adjustable shelves FSH0150R-242582(door option)	24	25	82
rectangular run-off desk FDTU-2472-L-OU1	34	72	29½



Choose Door Style:



U-Shape Workstation with Run-off Table Desk



Includes:

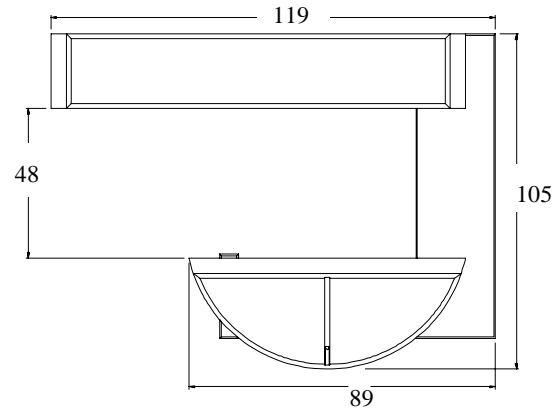
- pivoting wood grommet in run-off desk top
- hinged kneespace panel to conceal wire management and wall access
- pivoting wire chase in bridge top with linear wire exit
- single personal drawer on seated side apron of run-off desk

Options Available:

- drawer substitutions, refer to page IV
- E/D/V power strip (AMUS) installed on inside of hinged kneespace panel

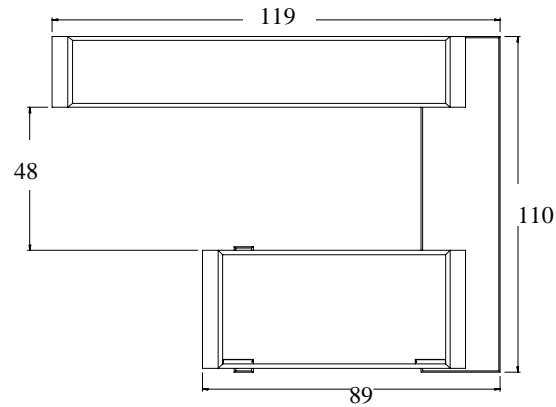
Semi-ellipse Run-off Workstation consists of:

	Depth	Width	Height
Full storage credenza FC0-24108-FTHL	24	108	29½
connecting bridge FB00S-2596-R-PWC	25¼	96	27¼
Semi-ellipse run-off table desk FDLUR-3478-R-OU1			



Rectangular Run-off Workstation consists of:

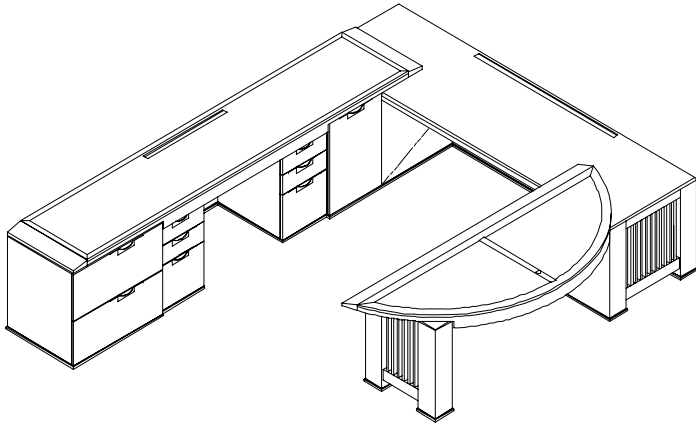
	Depth	Width	Height
Full storage credenza FC0-24108-FTHL	24	108	29½
connecting bridge FB00S-25110-R-PWC	25¼	110	27¼
Rectangular run-off table desk FDTU-3978-R-OU1	39¼	78	29½



U-Shape Workstation with Run-off Table Desk and Kneespace Credenza

Includes:

- pivoting wood grommet in run-off desk top
- hinged kneespace panels in bridge and credenza to conceal wire management
- pivoting wire chase in bridge and credenza tops with linear wire exits
- single personal drawer in seated side apron of run-off desk

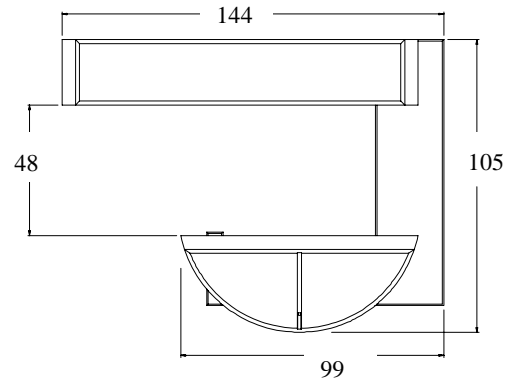


Options Available:

- drawer substitutions, refer to page IV
- keyboard drawer concealed in credenza kneespace apron
- E/D/V power strip (AMUS) installed on inside of hinged kneespace panel

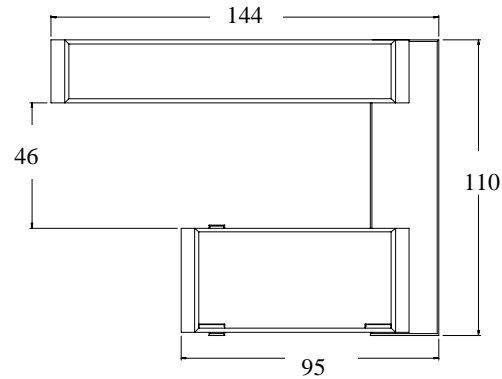
Semi-ellipse Run-off Workstation consists of:

	Depth	Width	Height
4 piece kneespace credenza including single overlay top FC0-24132-EAKAHL-PWC	24	132	29½
connecting bridge FB00S-2596-R-PWC	25¼	96	27¼
semi-ellipse run-off table desk FDLUR-3988-R-OU1	39¼	88	29½

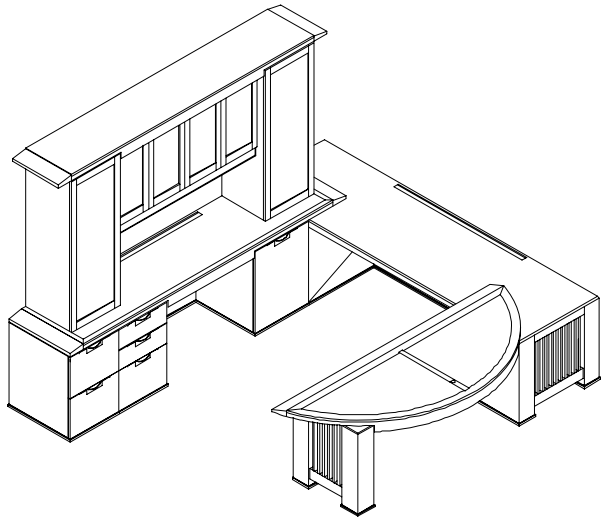


Rectangular Run-off Workstation consists of:

	Depth	Width	Height
4 piece kneespace credenza including single overlay top FC0-24132-EAKAHL-PWC	24	132	29½
connecting bridge FB00S-25110-R-PWC	25¼	110	27¼
rectangular run-off table desk FDTU-4184-R-OU1	41	84	29½



U-Shape Workstation with Run-off Table Desk and Hi-Rise Storage

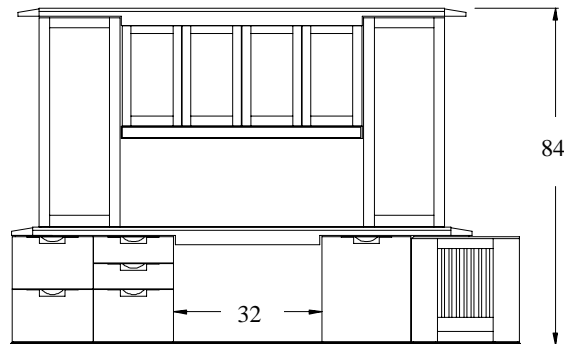


Includes:

- pivoting wood grommet in run-off desk top
- hinged kneespace panels in bridge and credenza to conceal wire management
- pivoting wire chase in bridge and credenza tops with linear wire exits
- single personal drawer in seated side apron of run-off desk
- etched glass light valance with recessed lighting

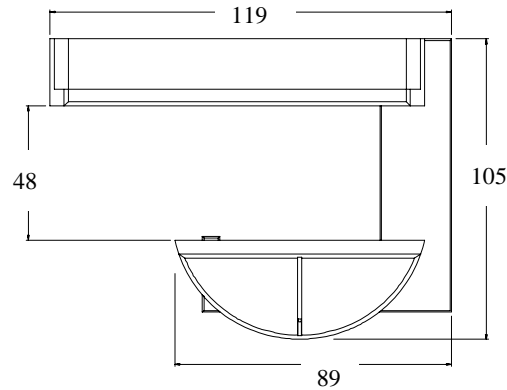
Options Available:

- door style variations
- drawer substitutions, refer to page IV
- camed antique glass light valance
- keyboard drawer concealed in credenza kneespace apron
- E/D/V power strip (AMUS) installed on inside of kneespace panels

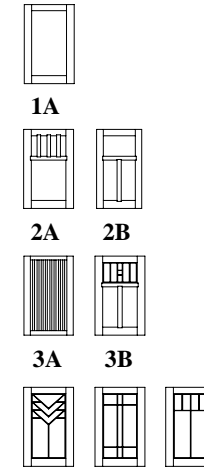


Semi-ellipse Run-off Workstation Consists of:

	Depth	Width	Height
4 piece kneespace credenza including single overlay top FC0-24108-DCKHL-PWC	24	108	29½
4 piece hi-rise storage including single overlay top FSUL531-1810554-(door option)	18	105	54
connecting bridge FB00S-2596-R-PWC	25¼	96	27¼
semi-ellipse run-off table desk FDLUR-3478-R-OU1	34¼	78	29½

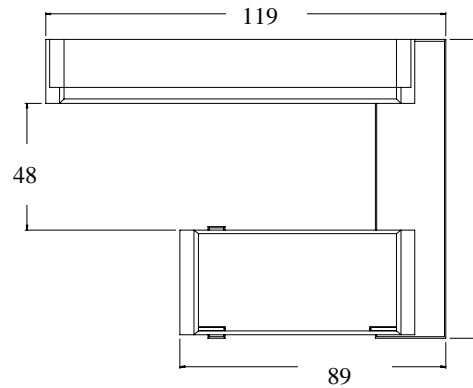


Choose Door Style:

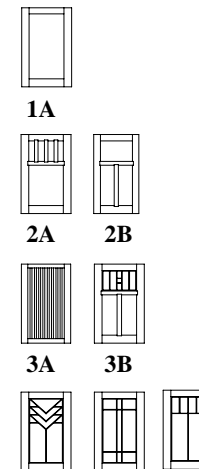


Rectangular Run-off Workstation consists of:

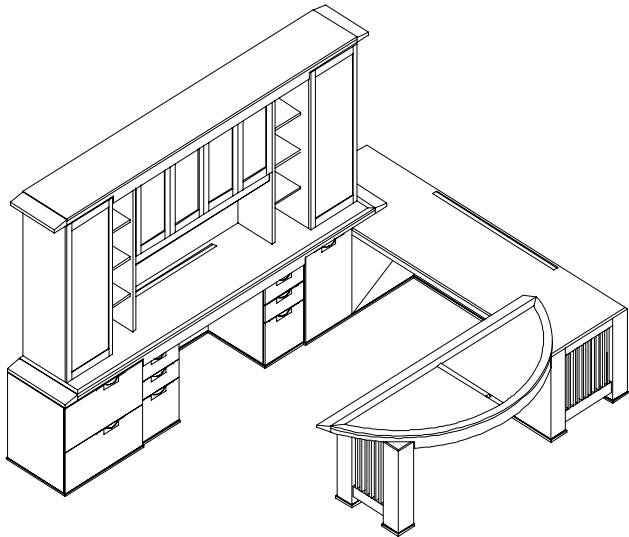
	Depth	Width	Height
4 piece kneespace credenza including single overlay top FC0-24108-DCKHL-PWC	24	108	29½
4 piece hi-rise storage including single piece overlay top FSUL531-1810554-(door option)	18	105	54
connecting bridge FB00S-25110-R-PWC	25¼	110	27¼
rectaungular run-off desk FDTU-3978-R-OU1	39	78	29½



Choose Door Style:



U-Shape Workstation with Run-off Table Desk and Hi-Rise Storage & Display Shelves

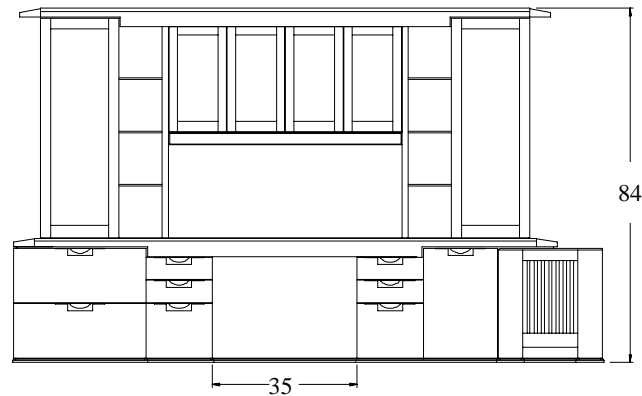


Includes:

- pivoting wood grommet in run-off desk top
- hinged kneespace panels in bridge and credenza to conceal wire management
- pivoting wire chase in bridge and credenza tops with linear wire exits
- single personal drawer in seated side apron of run-off desk
- 2 bays of adjustable glass display shelving with upper display lights

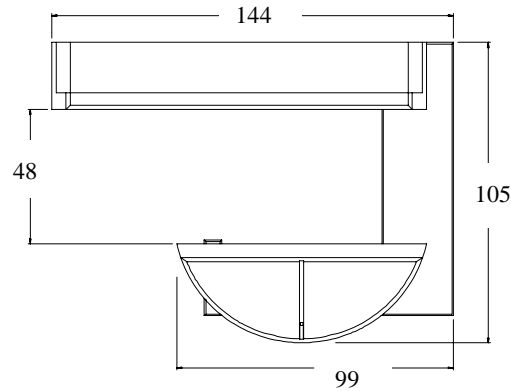
Options Available:

- door style variations
- drawer substitutions, refer to page IV
- camed antique glass light valance
- keyboard drawer concealed in credenza kneespace apron
- E/D/V power strip (AMUS) installed on inside of hinged kneespace panels

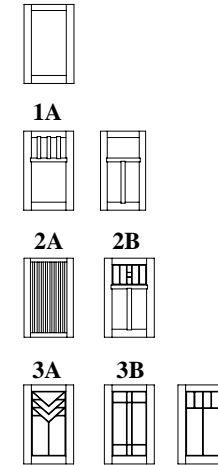


Semi-ellipse Run-off Workstation Consists of:

	Depth	Width	
Height			
4 piece kneespace credenza including single overlay top FC0-24132-EAKAHL-PWC	24	132	29½
4 piece hi-rise storage including single overlay top FSUQ731-1812954-(door option)	18	129	54
connecting bridge FB00S-2596-R-PWC	25¼	96	27¼
semi-ellipse run-off table desk FDLUR-3788-R-OU1	37	88	29½

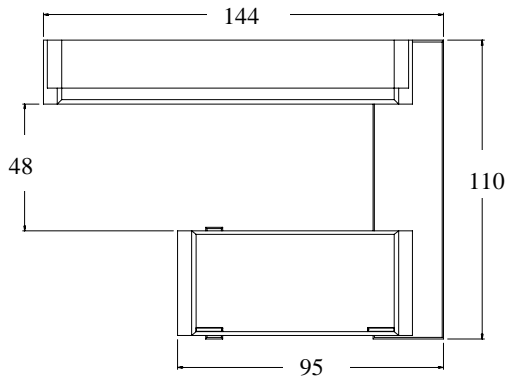


Choose Door Style:

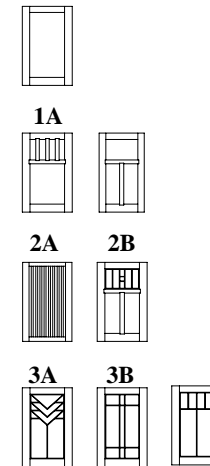


Rectangular Run-off Workstation consists of:

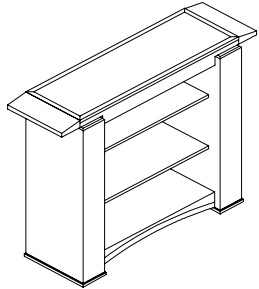
	Depth	Width	
Height			
4 piece kneespace credenza including single overlay top FC0-24132-EAKAHL-PWC	24	132	29½
4 piece hi-rise storage including single piece overlay top FSUQ731-1812954-(door option)	18	129	54
connecting bridge FB00S-25110-R-PWC	25¼	110	27¼
rectangular run-off desk FDTU-4184-R-OU1	41	84	29½



Choose Door Style:



Open Bookcases

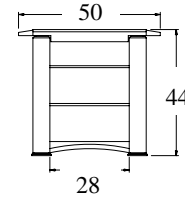


Includes:

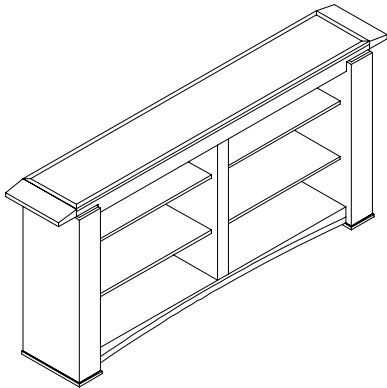
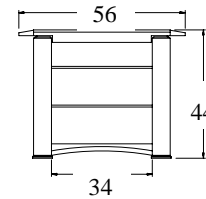
- two adjustable shelves
- arch detailed bottom shelf

single bay bookcase

	Depth	Width	Height
FSBQ12-165044	16	50	44



FSBQ12-165644	16	56	44
---------------	----	----	----

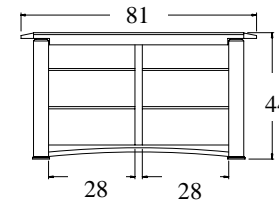


Includes:

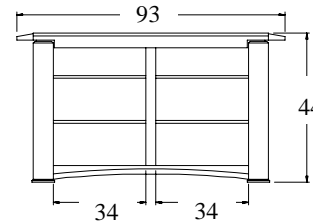
- two adjustable shelves
- arch detailed bottom shelf

double bay bookcase

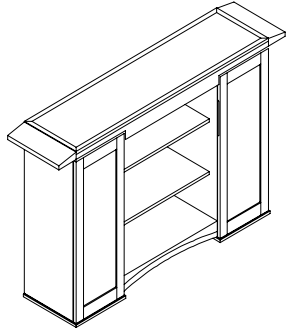
	Depth	Width	Height
FSBQ22-168144	16	81	44



FSBQ22-169344	16	93	44
---------------	----	----	----



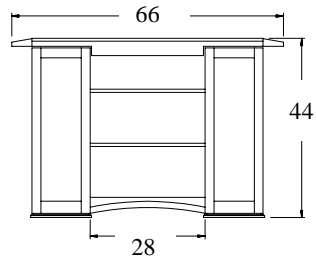
Combination Storage



FSXQ322-156644
(door option)

Depth Width Height

15 66 44



Includes:

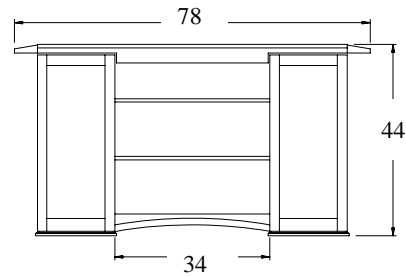
- two adjustable center shelves
- two adjustable shelves behind each end door
- arch detailed center bottom shelf

Options Available:

- door style variations

FSXQ322-157844
(door option)

15 78 44



Choose Door Style:



1A



2A



2B



3A



3B



4A



4B



4C

Choose Door Style:



1A



2A



2B



3A



3B



4A

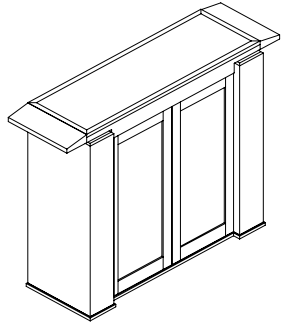


4B



4C

Hinged Door Bookcase

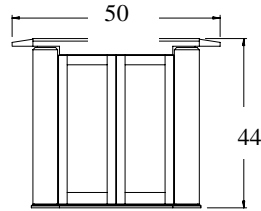


single bay hinged door bookcase

FSG012-165044
(door option)

Depth Width Height

16 50 44



Includes:

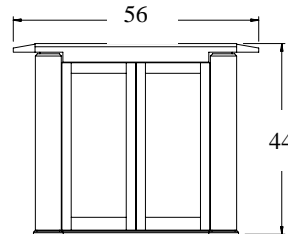
- two adjustable shelves behind pair of doors

Options Available:

- door style variations

FSG012-165644
(door option)

16 56 44



Choose Door Style:



1A



2A



2B



3A



3B



4A



4B



4C

Choose Door Style:



1A



2A



2B



3A



3B



4A

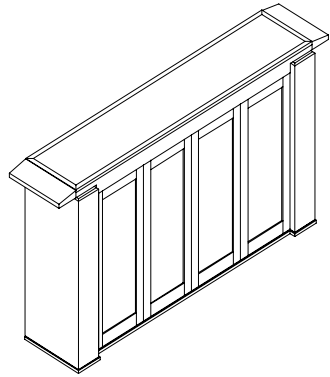


4B



4C

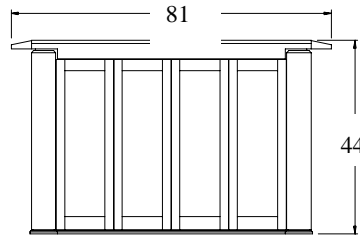
Combination Storage



Double bay hinged door bookcase

FSG022-168144
(door option)

Depth	Width	Height
16	81	44



Choose Door Style:



1A



2A



2B



3A



3B



Includes:

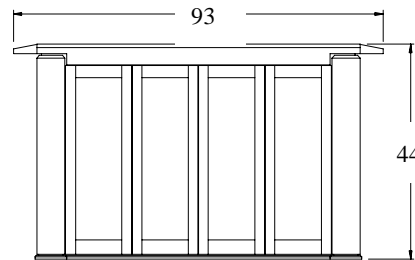
- two adjustable shelves behind pair of doors

Options Available:

- door style variations

FSG022-169344
(door option)

Depth	Width	Height
16	93	44



Choose Door Style:



1A



2A



2B



3A

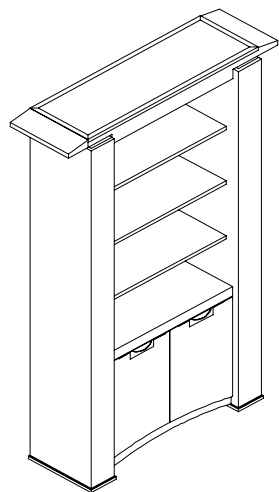


3B

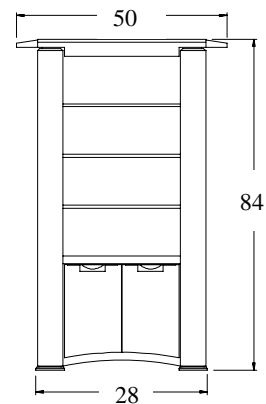


Library Shelving

Single bay library shelving



	Depth	Width	Height
FSLQ131-165084	16	50	84



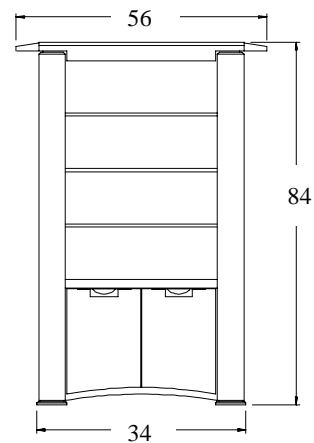
Includes:

- two adjustable upper shelves
- one adjustable shelf behind a pair of lower hinged doors
- arch bottom detail

Options Available:

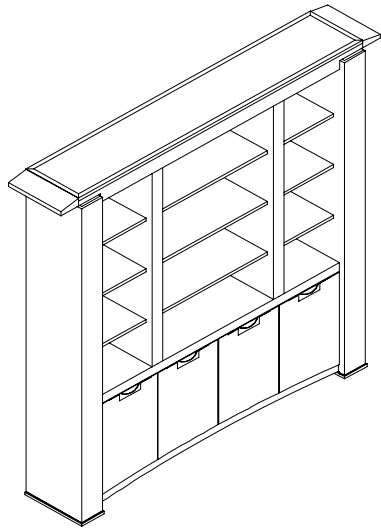
- glass upper display shelving
- recessed lighting in crown top

FSLQ131-165684	16	56	84
----------------	----	----	----

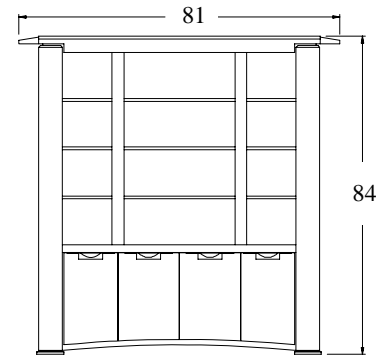


Library Shelving

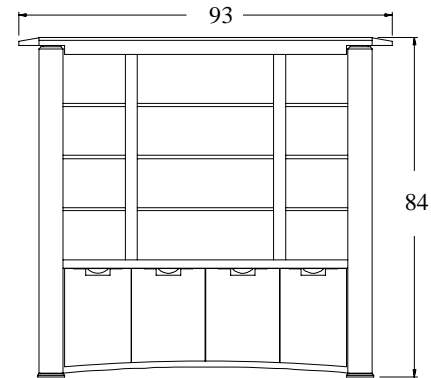
Triple bay library shelving



	Depth	Width	Height
FSLQ331-168184	16	81	44



FSLQ331-169384	16	93	44
----------------	----	----	----



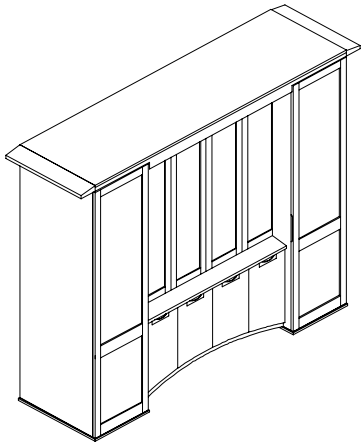
Includes:

- two adjustable shelves behind each of 3 bays
- one adjustable shelf behind each pair of lower hinged doors
- arched bottom detail
- 5 piece assembly

Options Available:

- glass upper display shelving
- recessed lighting in crown top

Full Height Auxiliary Storage



Includes:

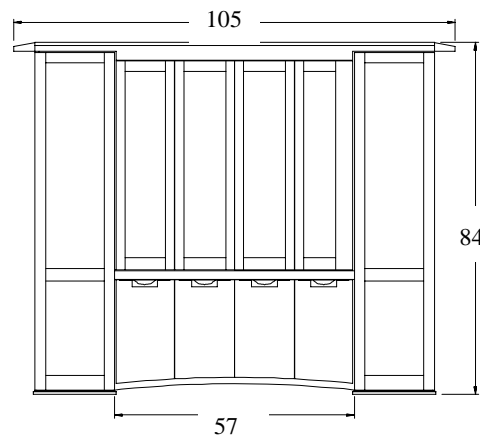
- flanking full height storage
- lower center section with arched base detail
- recessed upper center hinged door shelving

Options Available:

- door style variations
- pull-down AV screen from hinged coffer in overlay top
- glass display shelves in upper center
- section with display lighting in top

Assembly consists of:

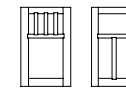
	Depth	Width	Height
overlay top FWT2-21105	21	105	4¼
left anchor storage with 6 adjustable shelves FSH0150L-211982-(door option)	21	19	82
bridge base credenza with arched detail FC0Q000B-2057-HHHH	20	57	28½
bridge hi-rise storage FSHT330B-145750-(door option)	14	57	50
right anchor storage with 6 adjustable shelves FSH0150R-211982-(door option)	21	19	82



Choose Door Style:



1A



2A



2B



3A



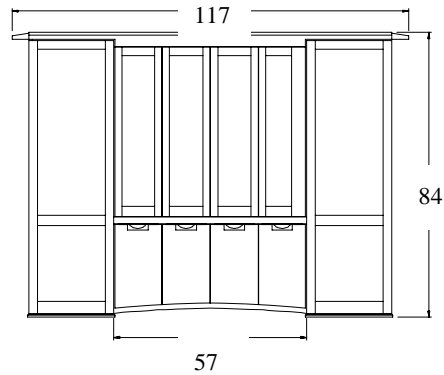
3B



3D

Assembly Consists of:

	Depth	Width	Height
overlay top FWTZ-21117	21	117	4½
left anchor storage with 6 adjustable shelves FSH0150L-212582-(door option)	21	25	82
bridge base credenza with arched detail FC0Q000B-2057-HHHH	20	57	28½
bridge hi-rise storage FSHT330B-145750-(door option)	14	57	50
right anchor storage with 6 adjustable shelves FSH0150R-212582-(door option)	21	25	82



Choose Door Style:



1A



2A



2B



3A



3B



4A



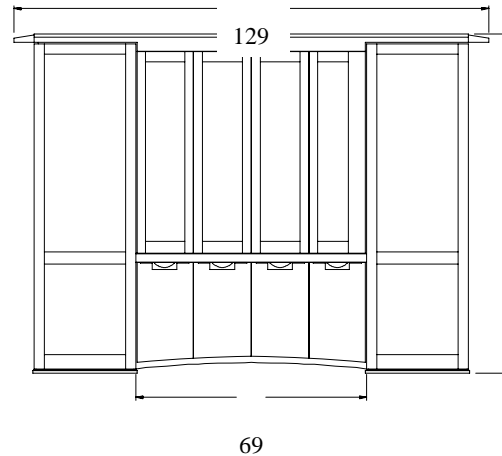
4B



4C

Assembly consists of:

	Depth	Width	Height
overlay top FWT2-21129	21	129	4½
left anchor storage with 6 adjustable shelves FSH0150L-212582-(door option)	21	25	82
bridge base credenza with arched detail FC0Q000B-2069-HHHH	20	69	28½
bridge hi-rise storage FSHT330B-146950-(door option)	14	69	50
right anchor storage with 6 adjustable shelves FSH0150R-212582-(door option)	21	25	82



Choose Door Style:



1A



2A



2B



3A



3B



4A

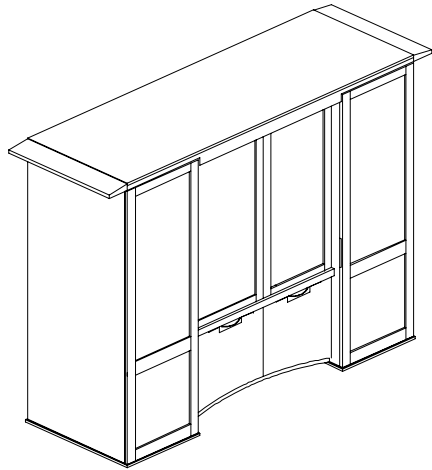


4B



4C

Full Height Audio-Visual Storage



Includes:

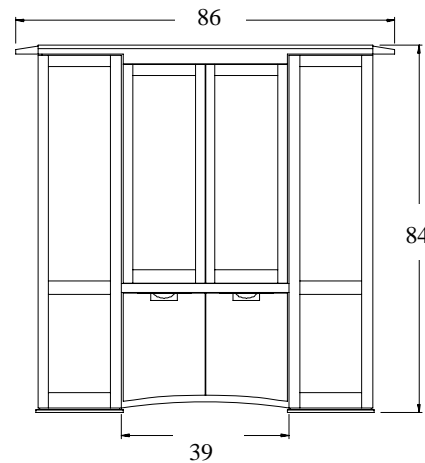
- flanking full height storage
- lower center section with arched base detail
- upper center retractable door section with fixed interior platform for

Options Available:

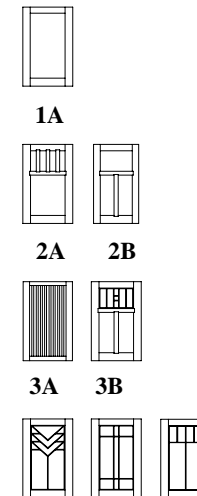
- door style variations
- pull-out swivel monitor platform available only when equipment specification is provided by customer

Assembly consists of:

	Depth	Width	Height
overlay top FWT2-2886	28	86	4½
left anchor storage with 6 adjustable shelves FSH0150L-281982-(door option)	28	19	82
bridge base credenza with arched detail FC0Q000B-2739-HH	26½	39	28½
bridge retractable door storage FSRT110B-273950-(door option)	26½	39	50
right anchor storage with 6 adjustable shelves FSH0150R-281982-(door option)	28	19	82

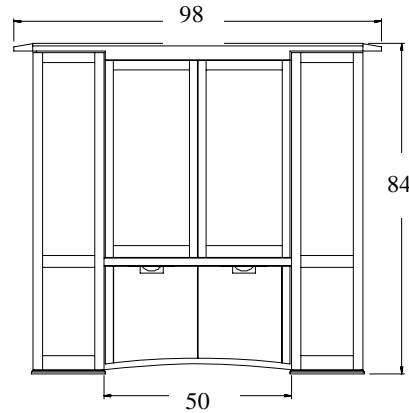


Choose Door Style:

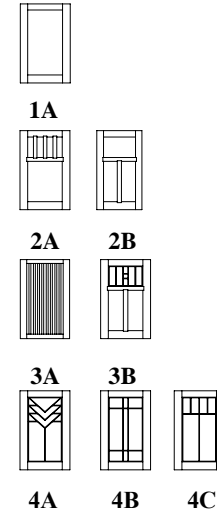


Assembly Consists of:

	Depth	Width	Height
overlay top FWT2-2898	28	98	4½
left anchor storage with 5 adjustable shelves FSH0150L-281982-(door option)	28	19	82
bridge base credenza with arched detail FC0Q000B-2750-HH	26½	50	28½
bridge retractable door storage FSRT110B-275050-(door option)	26½	50	50
right anchor storage with 5 adjustable shelves FSH0150R-281982-(door option)	28	19	82

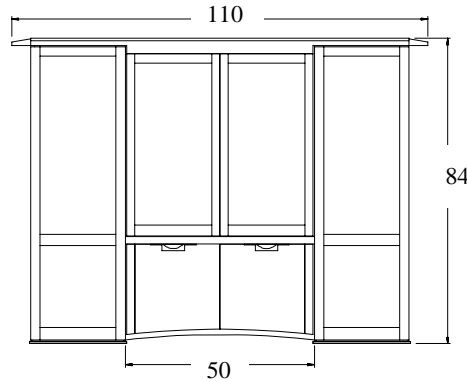


Choose Door Style:

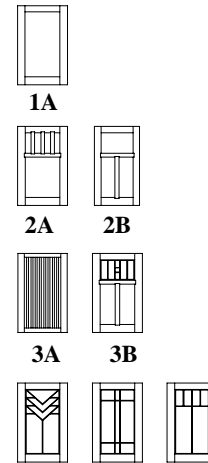


Assembly consists of:

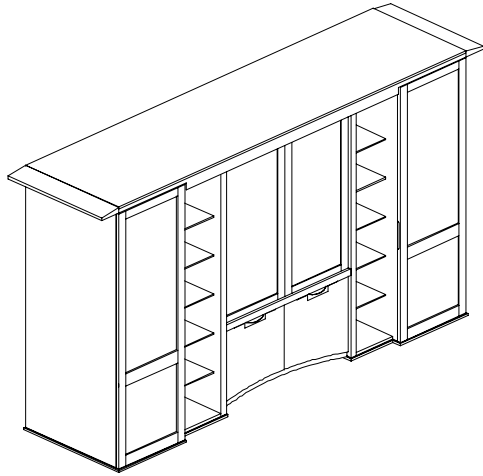
	Depth	Width	Height
overlay top FWT2-28110	28	110	4½
left anchor storage with 5 adjustable shelves FSH0150L-282582-(door option)	28	25	82
bridge base credenza with arched detail FC0Q000B-2750-HH	26½	50	28½
bridge retractable door storage FSRT110B-275050-(door option)	26½	50	50
right anchor storage with 5 adjustable shelves FSH0150R-282582-(door option)	28	25	82



Choose Door Style:



Full Height Audio-Visual Storage & Internal Display Shelving



Includes:

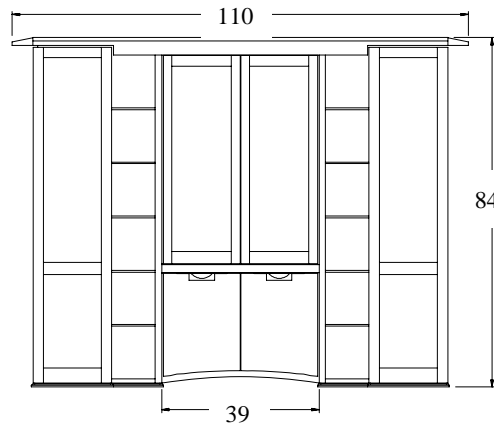
- flanking full height storage
- lower center section with arched base detail
- upper center retractable door section with fixed interior platform for monitor
- components separated by 2 bays of 12" deep glass adjustable shelving with upper display lighting

Options Available:

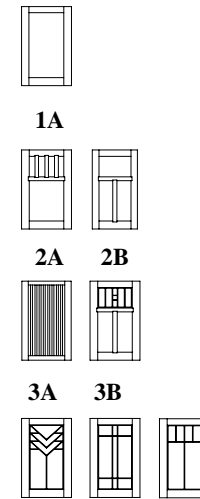
- door style variations
- pull-out swivel monitor platform available only when equipment specification is provided by customer

Assembly consists of:

	Depth	Width	Height
overlay top FWT2-28110	28	110	4½
left anchor storage with 5 adjustable shelves and right flanking glass shelves FSHX250L-283182-(door option)	28	31	82
bridged base credenza with arched detail FC0Q000B-2739-HH	26½	39	28½
bridge retractable door storage FSRT110B-273950-(door option)	26½	39	50
right anchor storage with 5 adjustable shelves and left flanking glass shelves FSHX250R-283182-(door option)	28	31	54

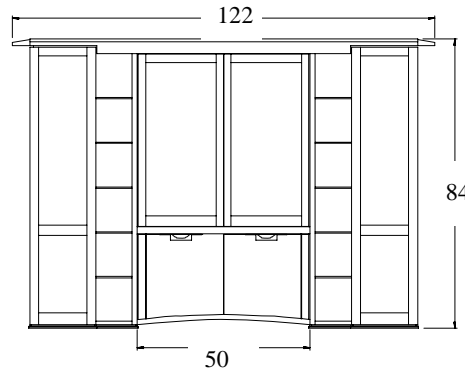


Choose Door Style:

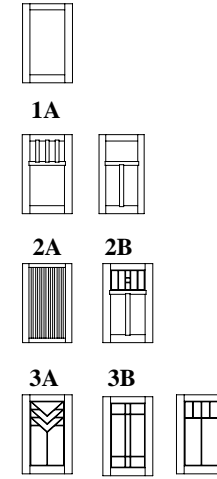


Assembly Consists of:

	Depth	Width	Height
overlay top FWT2-28122	28	122	4½
left anchor storage with 5 adjustable shelves and right flanking glass shelves FSHX250L-283182-(door option)	28	31	82
bridge base credenza with arched detail FC0Q000B-2750-HH	26½	50	28½
bridge retractable door storage FSRT110B-275050-(door option)	26½	50	50
right anchor storage with 5 adjustable shelves and left flanking glass shelves FSHX250R-283182-(door option)	28	31	82

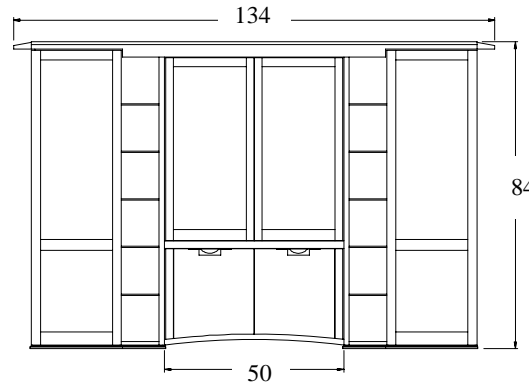


Choose Door Style:

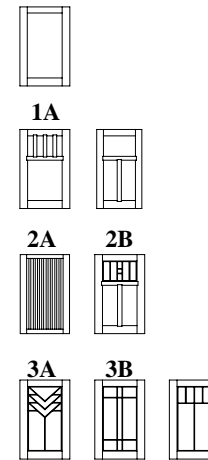


Assembly consists of:

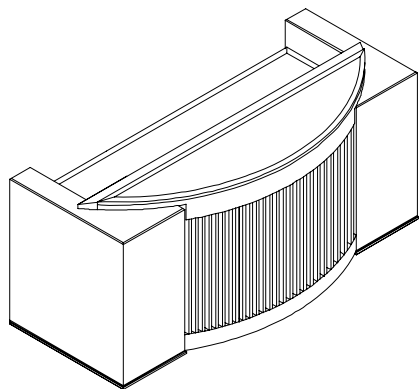
	Depth	Width	Height
overlay top FWT2-28134	28	134	4½
left anchor storage with 5 adjustable shelves and right flanking glass shelves FSH0150L-283782-(door option)	28	37	82
bridge base credenza with arched detail FC0Q000B-2750-HH	26½	50	28½
bridge retractable door storage FSRT110B-275050-(door option)	26½	50	50
right anchor storage with 5 adjustable shelves and left flanking glass shelves FSH0150R-283782-(door option)	28	37	82



Choose Door Style:



Gallery Desk



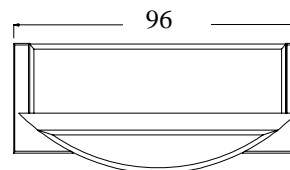
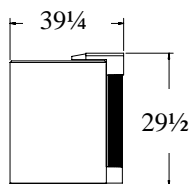
Includes:

- 2 pivoting wood grommets in desk

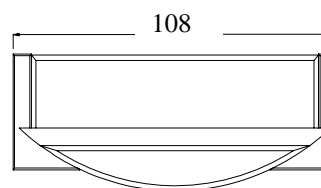
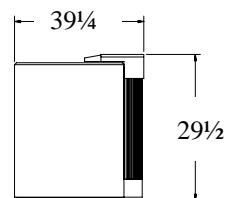
Options Available:

- 2 drawer substitutions, refer to page IV

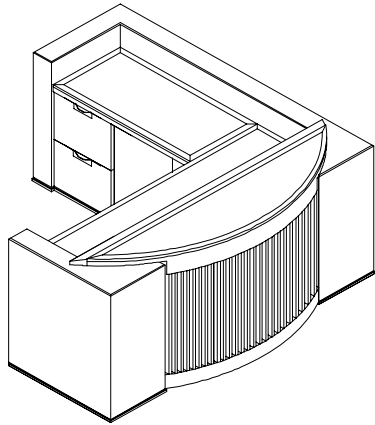
	Depth	Width	Height
FD0RT-3988-CD-GW2	39¼	96	29½



FD0RT-39106-CD-GW2	39¼	108	29½
--------------------	-----	-----	-----



Gallery Desk with Return



Includes:

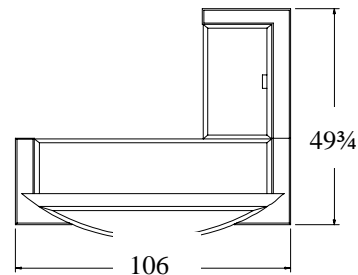
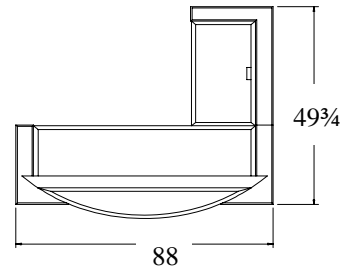
- 2 pivoting wood grommets in desk
- 1 pivoting wood grommet in return

Options Available:

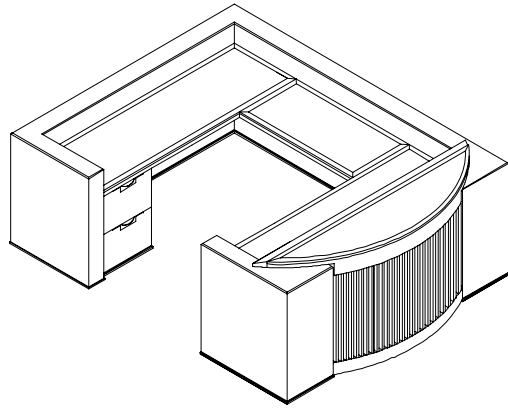
- drawer substitutions, refer to page IV

Assembly consists of:

	Depth	Width	Height
left return FR0R-2850-DL-GW1	28¼	49¾	39
gallery desk FD0RT-3988-CR-GW2	39¼	88	41⅜
right return FR0R-2850-DL-GW1	28½	49¾	39
gallery desk FD0RT-39106-CR-GW2	39¼	106	4⅜



Gallery “U” configuration side entry



Includes:

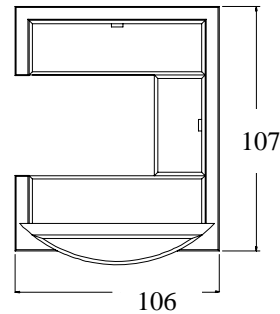
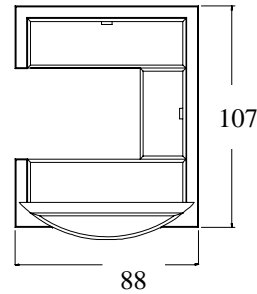
- 2 pivoting wood grommets in desk
- 1 pivoting wood grommet in bridge
- 1 pivoting wood grommets in credenza

Options Available:

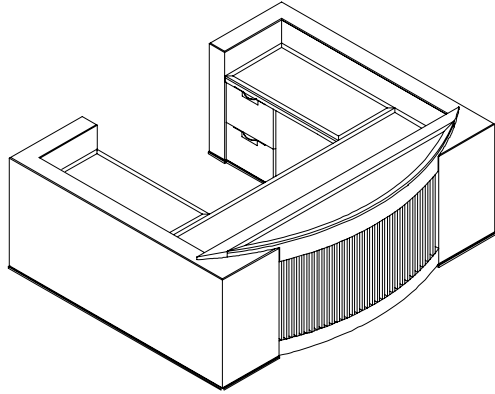
- drawer substitutions, refer to page IV

Assembly consists of:

	Depth	Width	Height
rear credenza FC0R-3088-DL-GW1	30¼	88	39
bridge FB0R-2844-0-GW1	28	44	39
gallery desk FD0RT-3988-CR-GW2	39¼	88	41¾
rear credenza FC0R-30106-DL-GW1	30¼	106	39
bridge FB0R-2844-0-GW1	28	44	39
gallery desk FD0RT-39106-CR-GW2	39¼	106	41¾



Gallery “U” configuration rear entry



Includes:

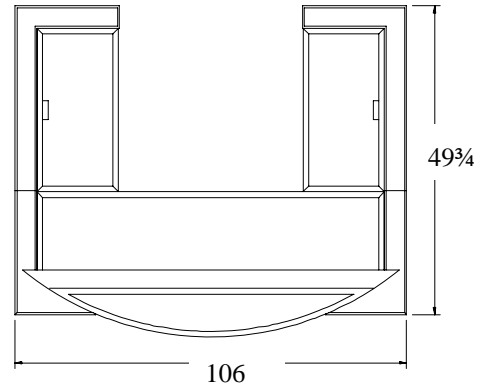
- 2 pivoting wood grommets in desk
- 1 pivoting wood grommet in each return

Options Available:

- drawer substitutions, refer to page IV

Assembly consists of:

	Depth	Width	Height
left return FR0R-2850-DL-GW1	28 $\frac{1}{4}$	49 $\frac{3}{4}$	39
gallery desk FD0RT-39106-0-GW2	39 $\frac{1}{4}$	106	41 $\frac{3}{8}$
right return FR0R-2850-CR-GW1	28 $\frac{1}{4}$	49 $\frac{3}{4}$	39



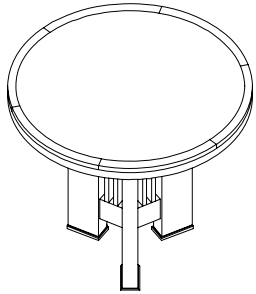
Round Conference Tables

Includes:

- 3-½" x 6" leg base with spindle centers
- single grain direction top

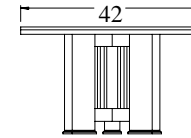
Options Available:

- 3 and 4 section reverse box patterned tops
pricing shown below



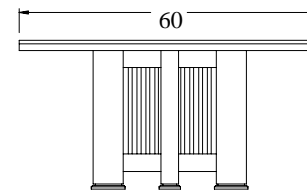
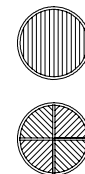
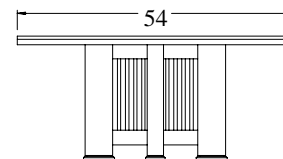
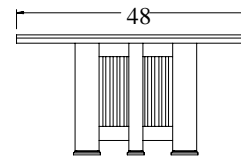
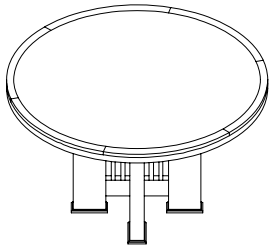
three leg base round table

	Depth	Width	Height
FTR13-4242	42	42	29½
FRT130RB-4242	42	42	29½

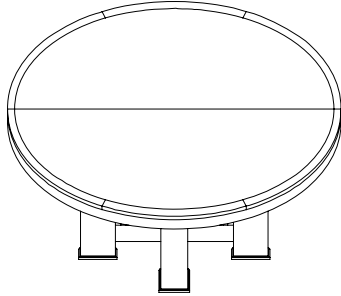


four leg base round table

	Depth	Width	Height
FTR1W-4848	48	48	29½
FTR1WORB-4848	48	48	29½
FTR1W-5454	54	54	29½
FTR1WORB-5454	54	54	29½
FTR1W-6060	60	60	29½
FTR1WORB-6060	60	60	29½



Round Conference Tables



Includes:

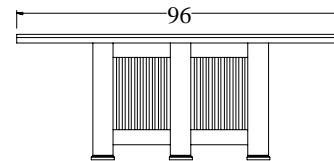
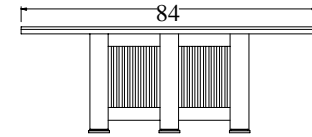
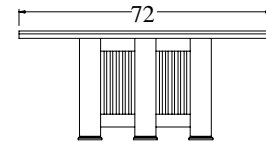
- 6" x 6" leg base with spindle centers
- single grain direction top
- two piece tops with separate base

Options Available:

- 4 section reverse box patterned tops pricing shown below

four leg base round table

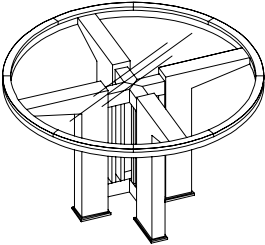
	Depth	Width	Height
FTR1W-7272	72	72	29½
FTR1WORB-7272	72	72	29½
FTR1W-8484	84	84	29½
FTR1WORB-8484	84	84	29½
FTR1W-9696	96	96	29½
FTR1WORB-9696	96	96	29½



Glass Top Round Conference Tables

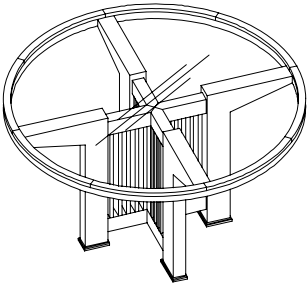
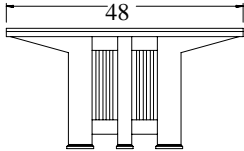
Includes:

- 3/4" thick glass top flush with wood circumference ring
- 3 1/2" x 6" cantilevered leg base with spindle centers

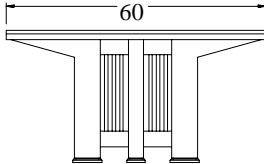


glass top round conference tables

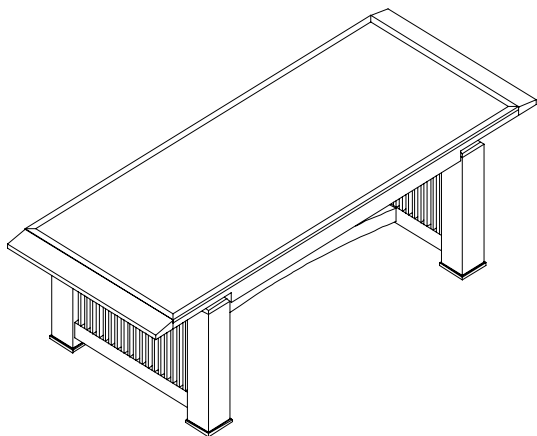
	Depth	Width	Height
FTR1GA-4848	48	48	29 1/2



FTR1GA-6060	60	60	29 1/2
-------------	----	----	--------



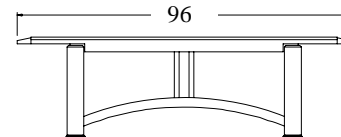
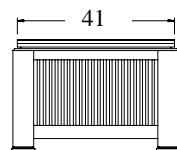
Rectangular Conference Tables with full width legs



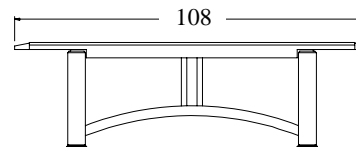
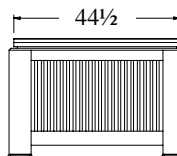
Includes:

- single piece table top with cantilevered beveled end edges
- two full width spindled leg bases with connecting arched tressel
- long grain direction top

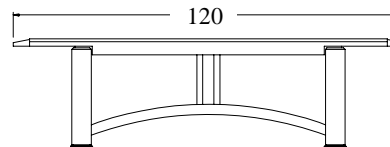
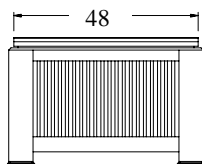
	Depth	Width	Height
FTS2F-4196	41	96	29½



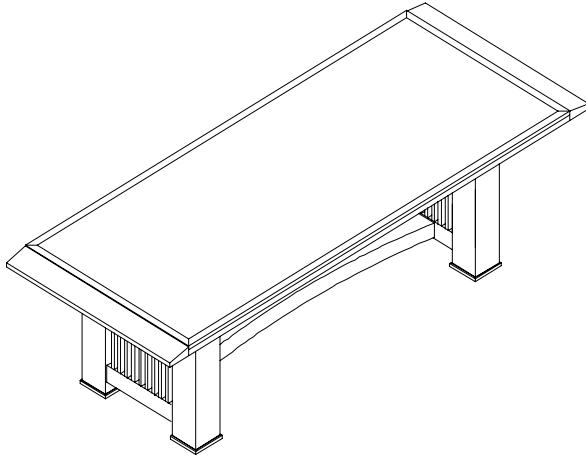
FTS2F-45108	44½	108	29½
-------------	-----	-----	-----



FTS2F-48120	48	120	29½
-------------	----	-----	-----

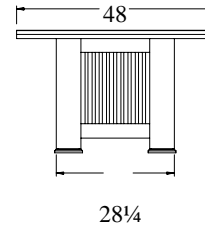


Rectangular Conference Tables with recessed legs

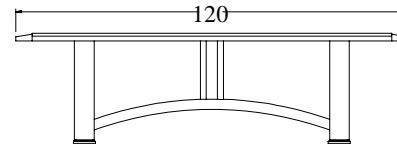
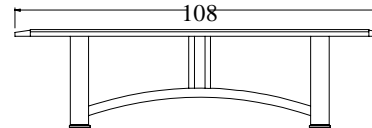
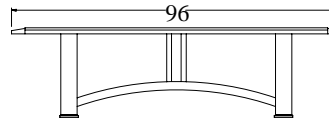


Includes:

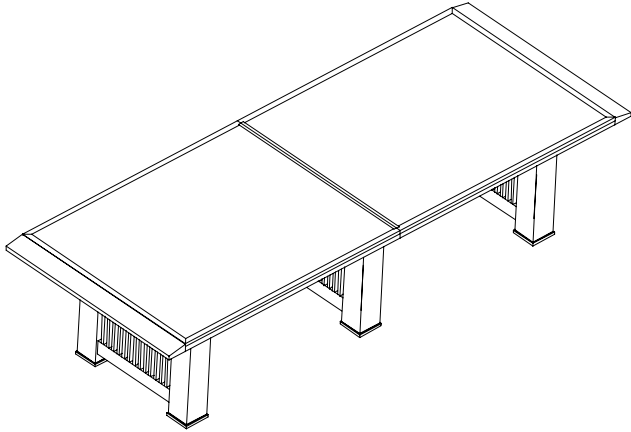
- single piece table top with cantilevered beveled end edges
- two recessed leg bases with connecting arched tressel
- long grain direction top



	Depth	Width	Height
FTS2H-4896	48	96	29½
FTS2H-48108	48	108	29½
FTS2H-48120	48	120	29½

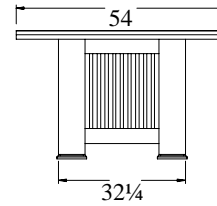


Large Rectangular Conference Tables with recessed legs

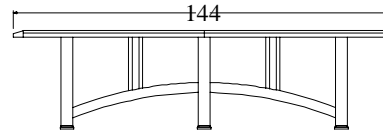


Includes:

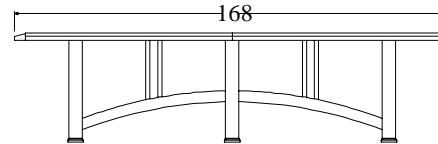
- two piece table top with cantilevered beveled end edges
- three recessed leg bases with connecting continuous arched tressel
- butt-matched long grain direction tops



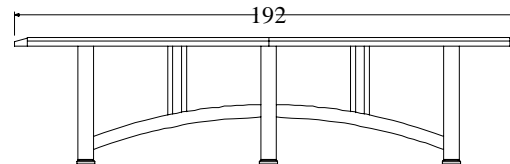
	Depth	Width	Height
FTS3H-54144	54	144	29½



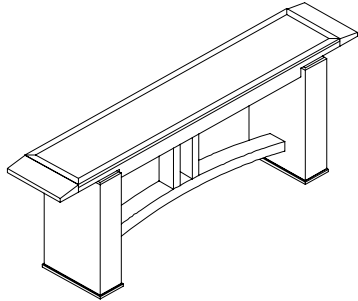
FTS3H-54168	54	168	29½
-------------	----	-----	-----



FTS3H-54192	54	192	29½
-------------	----	-----	-----



Rectangular Console Tables



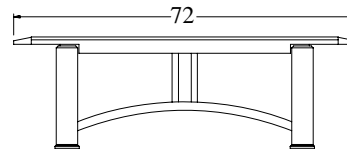
Includes:

- pilaster end panels connected with arched tressel

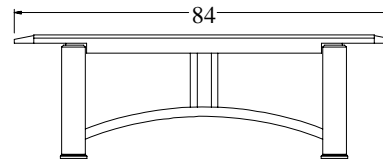
Options Available:

- honed and sealed limestone inlaid tops by pricing inquiry

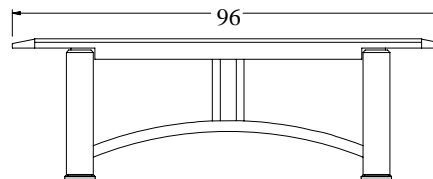
	Depth	Width	Height
FTS2P-1672	16	72	29½



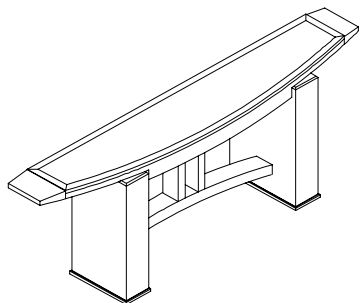
FTS2P-1684	16	84	29½
------------	----	----	-----



FTS2P-1696	16	96	29½
------------	----	----	-----



Bowed Top Console Tables



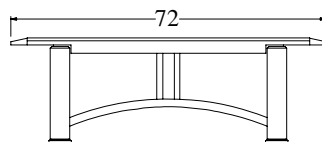
Includes:

- pilaster end panels connected with arched tressel

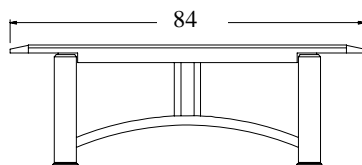
Options Available:

- honed and sealed limestone inlaid tops by pricing inquiry

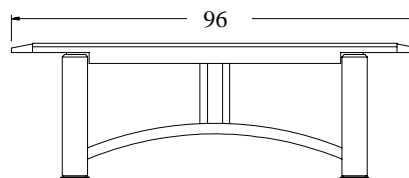
	Depth	Width	Height
FTF2P-1772	17	72	29½



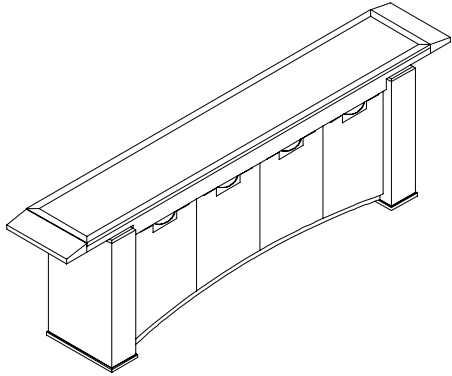
FTF2P-1884	18	84	29½
------------	----	----	-----



FTF2P-1996	19	96	29½
------------	----	----	-----



Console Cabinets



Includes:

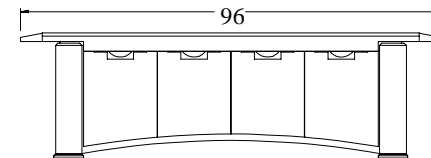
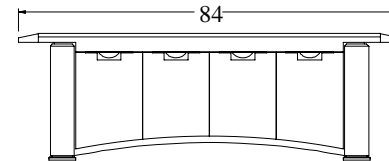
- hinged door storage with arched base detail
- one adjustable shelf behind each pair of doors

Options Available:

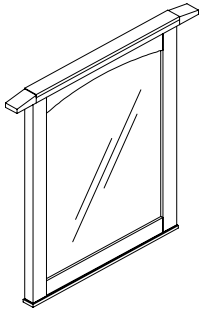
- honed and sealed limestone inlaid tops by pricing inquiry

hinged door console cabinet

	Depth	Width	Height
FCGQ-1684-HHHH	16	84	29½
FCGQ-1696-HHHH	16	96	29½



Wall Hung Mirror

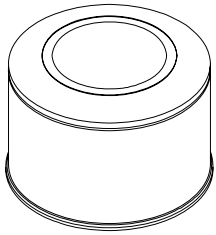


Includes:

- cantilevered top detail with accent dovetail key
- removable 1/8" double shock glass mirror

	Depth	Width	Height	
FVM-4251	3	41½	51	A front view line drawing of mirror FVM-4251. It shows a rectangular mirror with a cantilevered top. Dimension lines indicate a width of 41½ and a height of 51.
FVM-4851	3	47½	51	A front view line drawing of mirror FVM-4851. It shows a rectangular mirror with a cantilevered top. Dimension lines indicate a width of 47½ and a height of 51.
FVM-5451	3	53½	51	A front view line drawing of mirror FVM-5451. It shows a rectangular mirror with a cantilevered top. Dimension lines indicate a width of 53½ and a height of 51.

Round Conference Tables



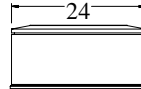
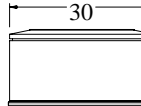
Includes:

- deep beveled edge detail on tops with 3/8" float above table body

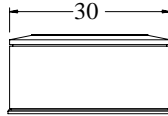
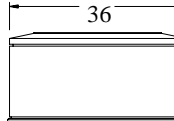
Options Available:

- honed and sealed limestone inlaid tops by pricing inquiry

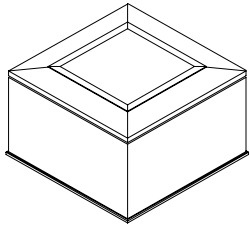
cylinder side tables

	Depth	Width	Height	
FTD-2424	24	24	20	
FTD-3030	30	30	20	

cylinder magazine tables

FTD-3030	30	30	16	
FTD-3636	36	36	16	

Round Conference Tables



Includes:

- deep beveled edge detail on tops with

Options Available:

- honed and sealed limestone inlaid tops by pricing inquiry

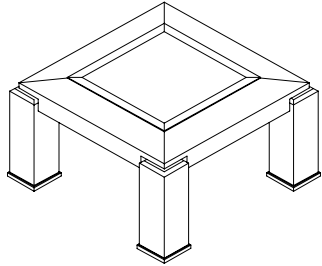
cube side tables

	Depth	Width	Height	
FTC-2424	24	24	20	
FTC-3030	30	30	20	

cube magazine tables

FTC-3030	30	30	16	
FTC-3636	36	36	16	
FTC-4242	42	42	16	

Accessory Leg Tables



Includes:

- deep beveled edge detail on tops with 3/8" float above table legs

Options Available:

- 4 section reverse box patterned tops
- 3/4" thick glass top set flush within beveled edge
- honed and sealed limestone inlaid tops by pricing inquiry

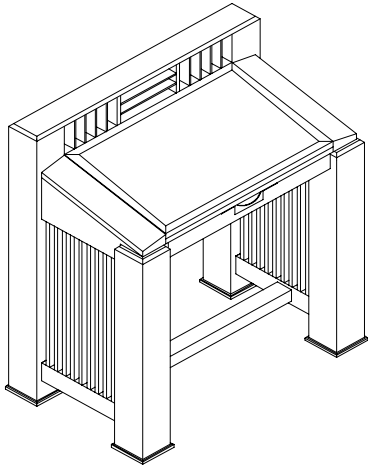
leg side tables

	Depth	Width	Height		
FTS4L-2626	26	26	20		
FTS4L0RB-2626	26	26	20		
FTS4LA-2626	26	26	20		
FTS4L-3232	32	32	20		
FTS4L0RB-3232	32	32	20		
FTS4LA-3232	32	32	20		

leg magazine tables

	Depth	Width	Height		
FTS4L-3232	32	32	16		
FTS4LORB-3232	32	32	16		
FTS4LA-3232	32	32	16		
FTS4L-3838	38	38	16		
FTS4LORB-3838	38	38	16		
FTS4LA-3838	38	38	16		
FTS4L-4444	44	44	16		
FTS4LORB-4444	44	44	16		
FTS4LA-4444	44	44	16		
FTS4L-2650	26	50	16		
FST4LORB-2650	26	50	16		
FTS4LA-2650	26	50	16		

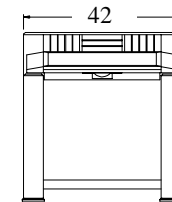
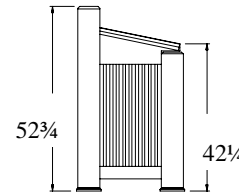
Standing Desk



Includes:

- sloped writing surface with book ledge at 42½ " from floor
- single personal drawer with shaped pen & clip tray
- note organizer above worksurface with vertical & horizontal dividers
- arched tressel connecting spindled end panels

	Depth	Width	Height
FDI-3042	29½	42	52¾



FDI-3048	29½	48	52¾
----------	-----	----	-----

