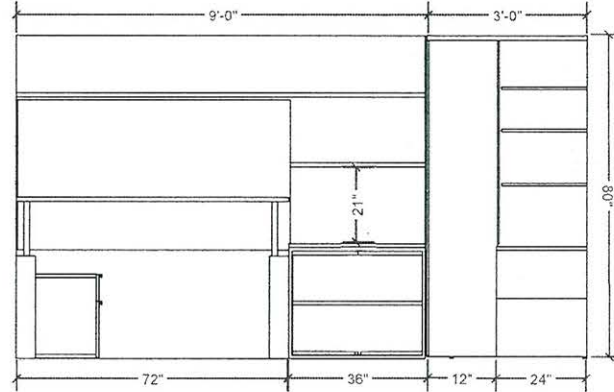
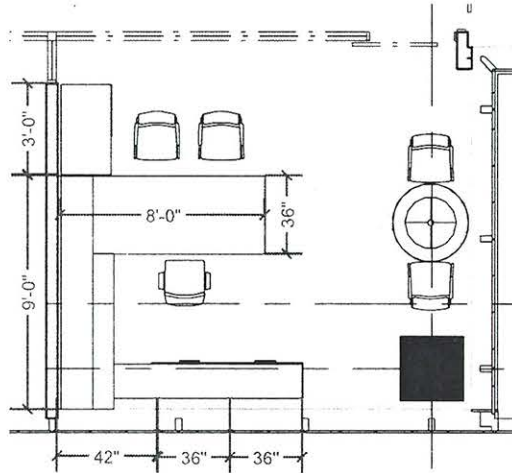


CCN

Project Profile: Jackson Walker

Jackson Walker: Project details

- 12 companies, narrowed down to CCN and a competitor out of Atlanta, GA.
- 228 office spread over 4 floors.
- Gensler spec'd project out of Dallas, TX.
- Sit/Stand desks were a crucial implementation.
- All offices included back painted glass as markerboards.
- Build quality included mitered corners and integrated sit/stand units.
- Won project despite being \$300k more than the finalist out of Atlanta, GA.



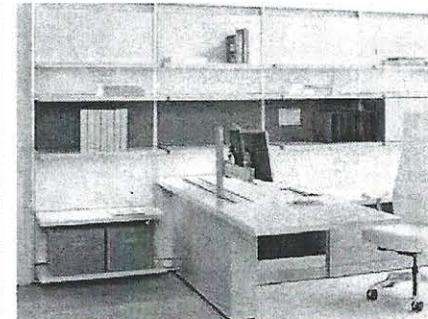
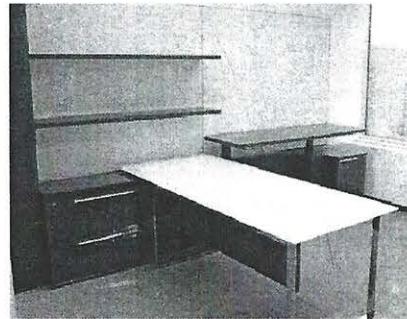
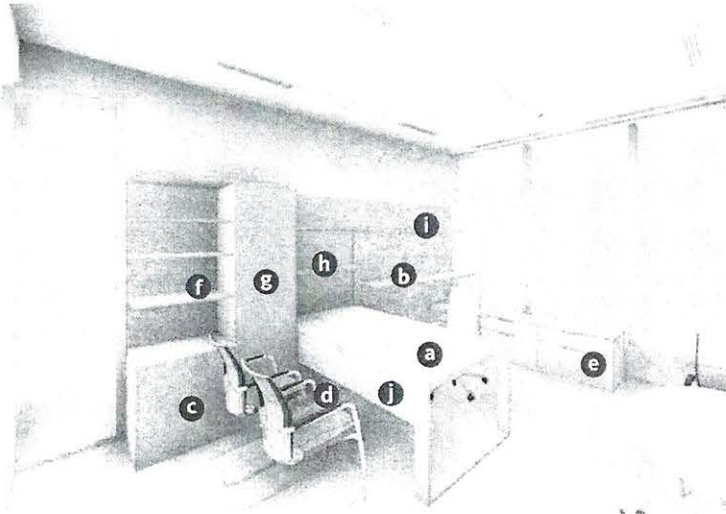
PO-1 LARGE OFFICE | LAYOUT A

COMPONENTS:

- a** 36"D X 96"W RUNOFF DESK W/ METAL LEG; WOOD VENEER
- b** 24" D X 66" W SIT TO STAND RETURN SURFACE; WOOD VENEER
- c** 24" W 2 DRAWER LATERAL FILE; WOOD VENEER FINISH
- d** 36" W OPEN CABINET WITH ADJUSTABLE SHELF; WOOD VENEER
- e** LOW CREDENZA WITH (2) 36"W BOX/FILE LATERALS AND (1) 42"W OPEN STORAGE CABINET WITH ADJ SHELF; PAINTED WITH WOOD DRAWER FRONTS
- f** 24" W OPEN CABINET WITH ADJUSTABLE SHELVES; WOOD VENEER
- g** 12" W WARDROBE CABINET, FULL HT WITH HANGING ROD AND ADJ SHELF; WOOD VENEER CASE W/ BACK PAINTED GLASS DOOR
- h** WALL MATERIAL- WOOD; ALTERNATE #6 IS MAGNETIC GLASS
- i** 15" DEEP OPEN SHELVING; WOOD VENEER
- j** MODESTY PANEL; WOOD VENEER

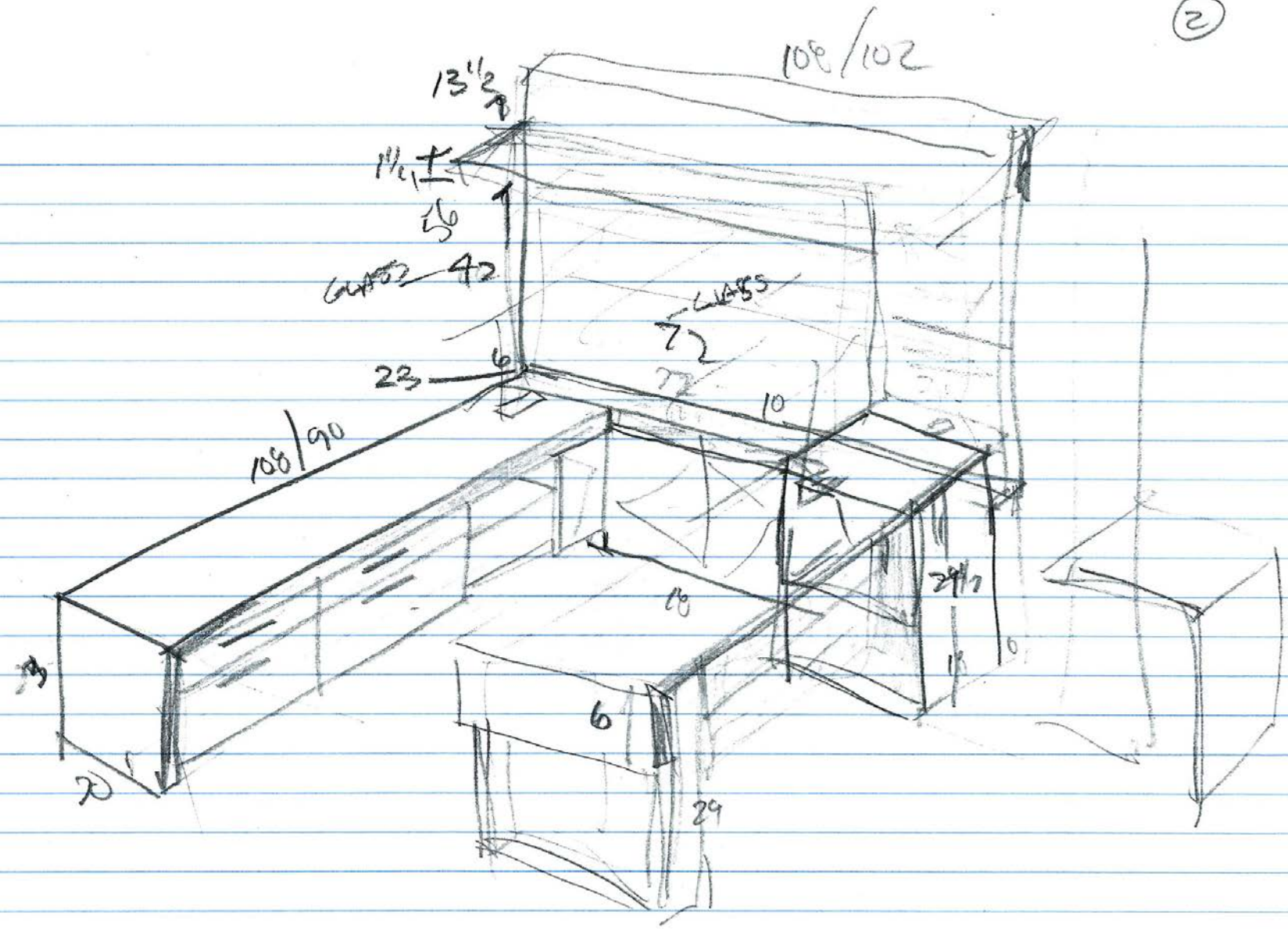
NOTES

- INCLUDE APPROPRIATE WIRE MANAGEMENT
- PEDESTAL INTERIORS TO BE WOOD
- FILES AND PEDESTALS TO BE LOCKABLE
- INCLUDE (3) GROMMETS FOR PRICING PURPOSES, LOCATIONS TO BE VERIFIED
- WOOD VENEER TO BE CUSTOM FINISH; ACCEPTABLE SPECIES INCLUDE WALNUT, OAK OR ASH
- ACTUAL HEIGHT OF CASEWORK TO BE BASED ON PRODUCT LINES
- REFER TO FURNITURE PLAN FOR DIFFERENT ARCHITECTURAL COLUMN CONDITIONS AND RIGHT-HAND OR LEFT-HAND ORIENTATIONS

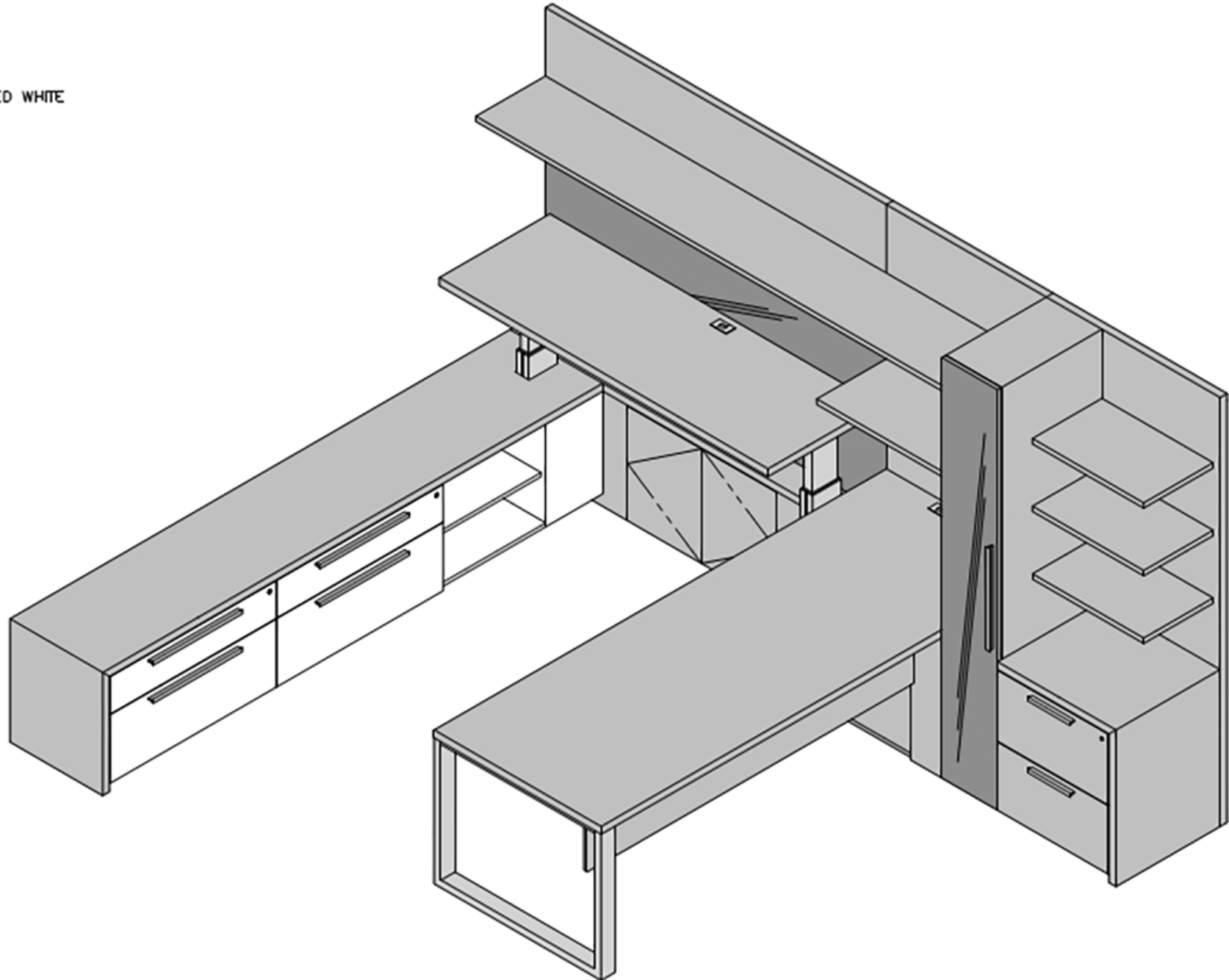


ALT. #2

(2)



- WOOD
- PAINTED WHITE
- METAL
- GLASS





Large
Office
Option A



















SIMPLICITY
ART & WORK

FORCED OUT STEPHEN FLETCHER
JIM & LAM















ccnintl.com

CCN

CCN INTERNATIONAL

200 LEHIGH STREET

GENEVA NY 14456

315.789.4400